



PEAK E27 ANTHRACITE

Wall luminaire in classic design for large and small facades that creates a wide light distribution and illuminates both wall and ground. With E27 base, you can choose your own light source (not included). IP23 classification with durable powder coating to withstand our Nordic climate. Easily installed thanks to separate rear element and push-in, loop-in, loop-out terminal block for direct connection to 230V. Rear element also with integrated spirit level for easier installation. Comes with spacers for surface-mounted cable routing.

DESCRIPTION

GTIN:	7392971139098
Item Name:	Peak E27 Anthracite
Warranty:	5 years

LIGHT TECHNICAL DATA

Lamp Holder (type):	E27
Life Time:	h Ta °C

TECHNICAL DATA

Voltage (type):	AC
Voltage Interval (V):	220...240V
Voltage Nominal (V):	230

OPERATION AND CONNECTION

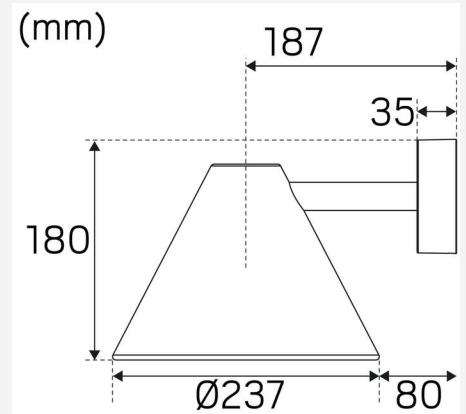
Dimmable:	Yes
Driver Included:	No
Connection (type):	Quick Terminal
Connection (mm ²):	3x0,5-2,5
Through Wiring:	Yes
Max. Power (W):	60

COLOR AND MATERIAL

Material:	Metal
Color:	Antracit

MEASUREMENT AND INSTALLATION

Operating Environment:	Indoor / wet locations, Outdoor
IP Degree of Protection:	23
Protection Class:	I
Installation:	Surface mounted
Mounting Installation:	Screw Mounting
Approval Marks:	CE
Filament Test IEC 695-2-1(°C):	650
Width (mm):	237
Height (mm):	180
Depth (mm):	317
Diameter (mm):	237
Weight (kg):	0,97



(mm)

