



## PAVE WALL OPAL DECO IV GREY

Easily installed wall luminaire in the Pave family with stylish design; available with clear or opal glass. Wide light distribution for attractive facade lighting. Plenty of space for easy installation. Choose the appearance and increase anti-glare for your luminaire in combination with Top, Deco II and Deco IV. Number sign available as an accessory for location at entrances (figures 3x 0-9 and letters 3x A-J). Replaceable LED and driver. Selectable lumen output and adjustable colour temperature via DIP-switch. Rear element has dual cable bushings for easy through wiring.

### DESCRIPTION

<b>GTIN:</b>	7392971148793
<b>Item Name:</b>	Pave Wall Opal Deco IV Grey
<b>Warranty:</b>	5 years

### LIGHT TECHNICAL DATA

<b>Max. Luminaire Lumen (lm):</b>	1160
<b>Light Source:</b>	LED
<b>Replaceability:</b>	Replaceable LED by professional, Replaceable Control gear by professional
<b>LED Colour:</b>	White
<b>Colour Temperature (K):</b>	3000, 4000
<b>Colour Rendering Index (Ra):</b>	>80
<b>Colour Consistency (SDCM):</b>	3
<b>Luminous Intensity (cd):</b>	720
<b>Beam Angle (°):</b>	95
<b>Light sharing:</b>	Symmetric
<b>Light Outlet:</b>	Indirect
<b>Number of Lamps (pcs):</b>	1
<b>Number of LED (pcs):</b>	77
<b>Life Time:</b>	h Ta °C
<b>Nominal Life Time (h):</b>	100000
<b>Lumen maintenance 50 000h:</b>	L90
<b>Lumen maintenance 75 000h:</b>	L85
<b>Lumen maintenance 100 000h:</b>	L81
<b>LLMF @ 50 000h:</b>	0.9
<b>LLMF @ 100 000h:</b>	0.81
<b>Life Time Driver:</b>	100 000h/20%
<b>Flicker (PstLM):</b>	0
<b>Stroboscopic effect (SVM):</b>	0

## TECHNICAL DATA

Voltage (type):	AC
Voltage Interval (V):	220...240V
Voltage Nominal (V):	230
Line Frequency (Hz):	50, 60
Power LED (W):	15,5
Max. Power Luminaire (W):	18
Max. System Power (W):	18
Max. Efficiency Luminaire (lm/W):	64,4
Max. Efficiency System (lm/W):	64,4
Containing light source energy efficiency class (EU) 2019/2015: C	
Eprel registration number:	1935457

## OPERATION AND CONNECTION

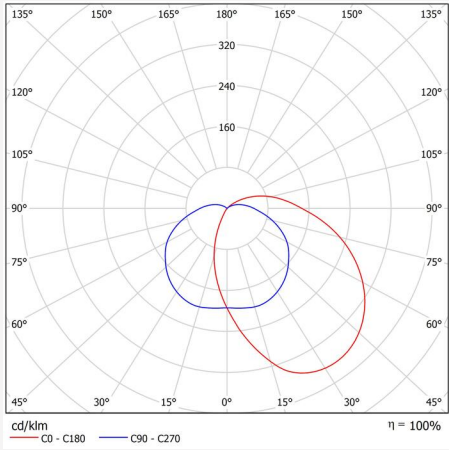
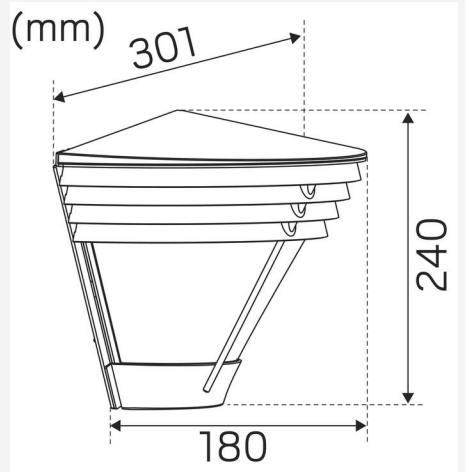

Dimmable:	No
Type of Dimming:	DIP-Switch Power
Driver Included:	Yes - replaceable
Driver Model:	Constant Current
Driver Manufacturer:	Hide-a-lite
Connection (type):	Quick Terminal
Connection (mm <sup>2</sup> ):	5x0,5-2,5
Through Wiring:	Yes
Power Factor $\lambda$ :	0,9
Efficiency (%):	77
Power loss (W):	2,9
Leakage current (mA) (at 230 V, 50 Hz, full load):	0,15
THD (%):	30
Constant Current (mA):	90, 165, 430, 500
Min. Ta (°C):	-30
Max. Ta (°C):	40
Max. Tc (°C):	75
Protection Against:	Short Circuit
Inrush current (max/time):	5A 100 $\mu$ s
Mains surge protection DM (kV):	2
Mains surge protection CM (kV):	2
Fuse B10 (pcs):	46
Fuse B16 (pcs):	74
Fuse C10 (pcs):	46
Fuse C16 (pcs):	74

## COLOR AND MATERIAL

Material:	Aluminium, Polycarbonate
Color:	Grey
Environmental Assessment:	Byggvarubedömningen
Available in special color:	Yes

## MEASUREMENT AND INSTALLATION

Operating Environment:	Indoor / dry locations, Outdoor
IP Degree of Protection:	65
Protection Class:	I
Installation:	Wall
Mounting Installation:	Screw Mounting
Approval Marks:	CE, a Hide-a-lite Choice
Impact Strength:	IK10
Filament Test IEC 695-2-1(°C):	650
Width (mm):	301
Height (mm):	240
Depth (mm):	180
Weight (kg):	2,7

**hide a lite**  
choice

We focus on sustainability using recycled material for creating innovative luminaires, as well as replaceable LEDs and drivers.

Luminaires built for the future!

Factory setting: 3000K (10W)		Pave Wall Top		Pave Wall Deco II Pave Wall Top Deco II		Pave Wall Deco IV Pave Wall Top Deco IV	
mA	Watt	3000K	4000K	3000K	4000K	3000K	4000K
90mA	3.5W	310lm	330lm	270lm	290lm	220lm	230lm
165mA	6W	600lm	630lm	510lm	550lm	430lm	450lm
430mA	15W	1580lm	1670lm	1370lm	1450lm	1140lm	1190lm
500mA	18W	1830lm	1940lm	1590lm	1680lm	1320lm	1390lm

Factory setting: 3000K (10W)		Pave Wall Opal Pave Wall Opal Top		Pave Wall Opal Deco II Pave Wall Opal Top Deco II		Pave Wall Opal Deco IV Pave Wall Opal Top Deco IV	
mA	Watt	3000K	4000K	3000K	4000K	3000K	4000K
90mA	3.5W	290lm	310lm	230lm	240lm	190lm	190lm
165mA	6W	560lm	590lm	440lm	470lm	360lm	380lm
430mA	15W	1460lm	1550lm	1155lm	1240lm	950lm	1000lm
500mA	18W	1700lm	1800lm	1360lm	1440lm	1110lm	1160lm

