



## KITCHEN LINE BASIC WHITE 2700K/3000K 880

Easily installed cabinet luminaire with linear light. Perfect replacement for fluorescent tube luminaires or for new installations and retrofit work, such as in kitchens and laundry rooms. Easy to replace parts after use. Opal light outlet that creates a well balanced light distribution on both work surfaces and walls. Selectable colour temperature via DIP switch. On/Off switch on luminaire. Installation using double-sided tape and screws, plenty of space for cables, keyhole assembly and cable bushing on both the long and short sides.

### DESCRIPTION

<b>GTIN:</b>	7392971145426
<b>Item Name:</b>	Kitchen Line Basic White 2700K/3000K 880
<b>Warranty:</b>	5 years

### LIGHT TECHNICAL DATA

<b>Max. Luminaire Lumen (lm):</b>	1270
<b>Light Source:</b>	LED
<b>Replaceability:</b>	Replaceable LED by professional, Replaceable Control gear by professional
<b>LED Colour:</b>	Warm White
<b>Colour Temperature (K):</b>	2700, 3000
<b>Colour Rendering Index (Ra):</b>	>90
<b>Colour Consistency (SDCM):</b>	3
<b>Luminous Intensity (cd):</b>	440
<b>Beam Angle (°):</b>	110
<b>Light sharing:</b>	Asymmetric
<b>Light Outlet:</b>	Direct
<b>Number of Lamps (pcs):</b>	1
<b>Number of LED (pcs):</b>	390
<b>Life Time:</b>	h Ta °C
<b>Nominal Life Time (h):</b>	100000
<b>Lumen maintenance 50 000h:</b>	L90
<b>Lumen maintenance 75 000h:</b>	L86
<b>Lumen maintenance 100 000h:</b>	L81
<b>LLMF @ 50 000h:</b>	0.9
<b>LLMF @ 100 000h:</b>	0.81
<b>Life Time Driver:</b>	50 000h/5%
<b>Flicker (PstLM):</b>	0,012
<b>Stroboscopic effect (SVM):</b>	0,036

## TECHNICAL DATA

Voltage (type):	AC
Voltage Interval (V):	220...240V
Voltage Nominal (V):	230
Line Frequency (Hz):	50
Power LED (W):	10,62
Max. Power Luminaire (W):	12,5
Max. System Power (W):	12,5
Max. Efficiency Luminaire (lm/W):	101,6
Max. Efficiency System (lm/W):	101,6
Containing light source energy efficiency class (EU) 2019/2015: E	
Eprel registration number:	1935413

## OPERATION AND CONNECTION


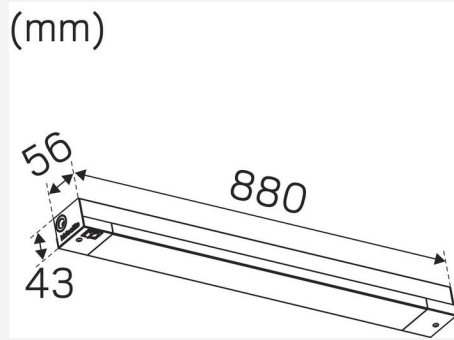
Dimmable:	No
Type of Dimming:	OnOff
Driver Included:	Yes
Driver Model:	Constant Current
Driver Type:	Built-in
Driver Manufacturer:	Hide-a-lite
Connection (type):	Quick Terminal
Connection (mm2):	3x0,5-2,5
Through Wiring:	Yes
Strain Relief:	Yes
Power Factor $\lambda$ :	0,82
Efficiency (%):	80
Power loss (W):	2,09
Leakage current (mA) (at 230 V, 50 Hz, full load):	0,25
THD (%):	50
Standby Power:	0,5
Constant Current (mA):	300
Min. Ta (°C):	-20
Max. Ta (°C):	40
Max. Tc (°C):	75
Protection Against:	Short Circuit, Overload
Inrush current (max/time):	18A 160 $\mu$ s
Fuse B10 (pcs):	26
Fuse B16 (pcs):	42
Fuse C10 (pcs):	47
Fuse C16 (pcs):	71

## COLOR AND MATERIAL

Material:	Steel
Color:	White
Environmental Assessment:	Byggvarubedömningen

## MEASUREMENT AND INSTALLATION

Operating Environment:	Indoor / dry locations
IP Degree of Protection:	20
Protection Class:	I
Installation:	Surface mounted
Mounting Installation:	Screw Mounting, Self Adhesive Tape
Approval Marks:	CE, a Hide-a-lite Choice
Filament Test IEC 695-2-1(°C):	650
Length (mm):	880
Width (mm):	56
Height (mm):	43
Weight (kg):	0,95



hideolite  
choice

We focus on sustainability using recycled material for creating innovative luminaires,  
as well as replaceable LEDs and drivers.

Luminaires built for the future!