



## PAVE PILLAR TOP DECO IV GREY

Stylish bollard in the Pave family with impressive but simple design for a well lit footpath or entrance. Choose the appearance and increase anti-glare for your luminaire in combination with Top, Deco II and Deco IV. Easily fitted bollard with through wiring, up to 5x16mm2 connection. Replaceable LED and driver. Selectable lumen output and adjustable colour temperature via DIP-switch. 4kV surge voltage protection as standard, separate 10kV surge voltage protection available as an accessory. Contact us if you want to paint your Pave in a different colour.

### DESCRIPTION

<b>GTIN:</b>	7392971147147
<b>Item Name:</b>	Pave Pillar Top Deco IV Grey
<b>Warranty:</b>	5 years

### LIGHT TECHNICAL DATA

<b>Max. Luminaire Lumen (lm):</b>	670
<b>Light Source:</b>	LED
<b>Replaceability:</b>	Replaceable LED by professional, Replaceable Control gear by professional
<b>LED Colour:</b>	White
<b>Colour Temperature (K):</b>	3000, 4000
<b>Colour Rendering Index (Ra):</b>	>80
<b>Colour Consistency (SDCM):</b>	3
<b>Luminous Intensity (cd):</b>	190
<b>Beam Angle (°):</b>	205
<b>Light sharing:</b>	Symmetric
<b>Light Outlet:</b>	Indirect
<b>Number of Lamps (pcs):</b>	1
<b>Number of LED (pcs):</b>	48
<b>Life Time:</b>	h Ta °C
<b>Nominal Life Time (h):</b>	100000
<b>Lumen maintenance 50 000h:</b>	L90
<b>Lumen maintenance 75 000h:</b>	L85
<b>Lumen maintenance 100 000h:</b>	L80
<b>LLMF @ 50 000h:</b>	0.9
<b>LLMF @ 100 000h:</b>	0.8
<b>Life Time Driver:</b>	100 000h/10%
<b>Flicker (PstLM):</b>	0,011
<b>Stroboscopic effect (SVM):</b>	0,025

## TECHNICAL DATA

Voltage (type):	AC
Voltage Interval (V):	110...305V
Voltage Nominal (V):	230
Line Frequency (Hz):	50, 60
Power LED (W):	10,03
Max. Power Luminaire (W):	12,4
Max. System Power (W):	12,4
Max. Efficiency Luminaire (lm/W):	54,0
Max. Efficiency System (lm/W):	54,0
Containing light source energy efficiency class (EU) 2019/2015: C	
Eprel registration number:	1935456

## OPERATION AND CONNECTION

Dimmable:	No
Type of Dimming:	DIP-Switch Power
Driver Included:	Yes - replaceable
Driver Model:	Constant Current
Driver Manufacturer:	Osram
Connection (type):	Cord Set
Connection (mm2):	5x2,5-16,0
Through Wiring:	Yes
Strain Relief:	Yes
Power Factor $\lambda$ :	0,7
Power loss (W):	2
Leakage current (mA) (at 230 V, 50 Hz, full load):	3,5
THD (%):	20
Standby Power:	0,5
Constant Current (mA):	85, 145, 230
Min. Ta (°C):	-40
Max. Ta (°C):	55
Max. Tc (°C):	90
Protection Against:	Short Circuit, Overheating 90°C, Overload
Inrush current (max/time):	35A 350 $\mu$ s
Mains surge protection DM (kV):	4
Mains surge protection CM (kV):	6
Fuse B10 (pcs):	6
Fuse B16 (pcs):	10
Fuse C10 (pcs):	11
Fuse C16 (pcs):	18

## COLOR AND MATERIAL

Material:	Aluminium, Polycarbonate
Color:	Grey
Environmental Assessment:	Byggvarubedömningen
Available in special color:	Yes

## MEASUREMENT AND INSTALLATION

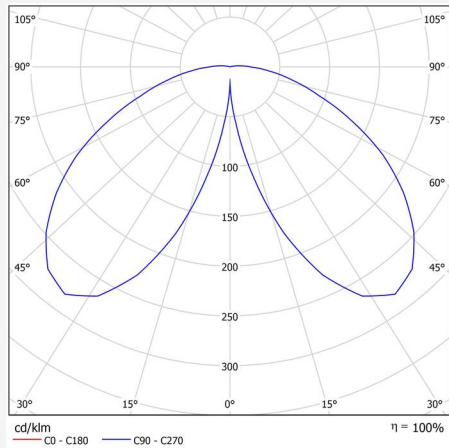
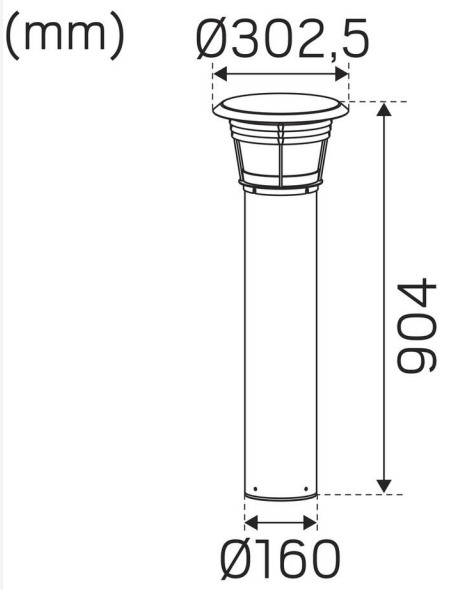
Operating Environment:	Indoor / dry locations, Outdoor
IP Degree of Protection:	65
Protection Class:	I
Installation:	Surface mounted
Mounting Installation:	Screw Mounting
Approval Marks:	CE, a Hide-a-lite Choice
Impact Strength:	IK10
Filament Test IEC 695-2-1(°C):	650
Height (mm):	904
Diameter (mm):	303
Weight (kg):	8,96



**hideolite**  
choice

We focus on sustainability using recycled material for creating innovative luminaires, as well as replaceable LEDs and drivers.

Luminaires built for the future!



**DIP SWITCH POWER**

Factory setting: 3000K   BW		Pave Pillar Pave Pillar Top		Pave Pillar Deco II Pave Pillar Top Deco II		Pave Pillar Deco IV Pave Pillar Top Deco IV	
mA	Watt	3000K	4000K	3000K	4000K	3000K	4000K
85mA	5W	410lm	440lm	340lm	380lm	220lm	240lm
145mA	8W	740lm	800lm	610lm	670lm	400lm	440lm
230mA	12W	1160lm	1250lm	940lm	1010lm	620lm	670lm

