



LEDSTRIP HV FDIM 3000K 10M

Mains dimmable 230V LEDstrip with IP44 rating for outdoor lighting. High lumen output and very good colour rendering, RA > 90. For striking and concealed lighting, e.g. as an uplight on rafters, under the eaves or on a railing. As standard, in rolls of 10 metres with fitted cord set (80cm), earthed plug and mains dimmable DC converter, clips and joints for an easy installation. Upon request, running meters with connection cables are delivered according to your specifications; running meters are delivered as standard without connection cables. Available made to measure in lengths of up to 50m, cut in lengths of 1 metre.

DESCRIPTION

GTIN:	7392971131023
Item Name:	LEDstrip HV FDIM 3000K 10m
Warranty:	5 years

LIGHT TECHNICAL DATA

Max. Luminaire Lumen (lm):	8400
Light Source:	LED
Light Source Included:	Yes
Replaceability:	Non-replaceable LED
LED Colour:	Warm White
Colour Temperature (K):	3000
Colour Rendering Index (Ra):	>90
Colour Consistency (SDCM):	4
Luminous Intensity (cd):	280
Beam Angle (°):	120
Light sharing:	Symmetric
Light Outlet:	Direct
Number of Lamps (pcs):	1
Number of LED (pcs):	700
LED Pitch (mm):	14
Life Time:	L70 50000h Ta 25°C
Nominal Life Time (h):	50000
Life Time Driver:	50 000h/10%
Flicker (PstLM):	0,115

TECHNICAL DATA

Voltage (type):	AC
Voltage Interval (V):	220...240V
Voltage Nominal (V):	230
Line Frequency (Hz):	50
Voltage Forward (Vf):	2,5
Power LED (W):	0,137
Max. Power Luminaire (W):	100
Max. System Power (W):	100
Max. Efficiency Luminaire (lm/W):	84
Max. Efficiency System (lm/W):	84
Energy Efficiency Class (EU) 2019/2015:	F
Eprel registration number:	941852

OPERATION AND CONNECTION

Dimmable:	Yes
Type of Dimming:	Trailing Edge
Driver Included:	Yes
Connection (type):	Cord Set
Length Connection (cm):	80
Min. Ta (°C):	-20
Max. Ta (°C):	45
Max. Tc (°C):	60

COLOR AND MATERIAL

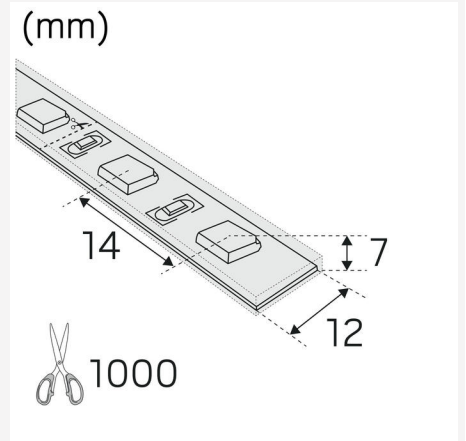
Material:	Copper, PVC
Color:	White

MEASUREMENT AND INSTALLATION

Operating Environment:	Outdoor
IP Degree of Protection:	44
Protection Class:	II
Installation:	Surface mounted
Mounting Installation:	Clips
Approval Marks:	CE
Length (mm):	10000
Width (mm):	12
Height (mm):	7
Weight (kg):	1,1

LEDSTRIPS

Min. Bend Radius (mm):	40
Min. Length (m):	1
Max. Length (m):	50
Cutting Increments (mm):	1000



Ingår | Including

0,5m 0,3m x1

GLUE x2

x1

x60

x1

x1

x120

ENERGY

Hide-a-lite

7503614

A

B

C

D

E

F

G

F

100
kWh/1000h

2019/2015