



LEDSTRIP 230V IP65 HIGHLUM 2700K 10M

LEDstrip IP65 for direct connection to 230V, cutting increments 10cm. No drivers and limited secondary leads. Perfect for outdoor use comes in three lumen outputs, Low, Mid, High and several color temperatures, not dimmable. We recommend using an aluminium profile with opal cover if the fitting is visible. Comes as standard in roles of 10m with self-adhesive tape, 3m connecting cable with plug, clips and shrink hose for the end cover. Upon request, running meters with connection cables are delivered according to your specifications; running meters are delivered as standard without connection cables. Available made to measure in optional lengths, accessories are ordered separately.

DESCRIPTION

GTIN:	7392971137728
Item Name:	LEDstrip 230V IP65 HighLum 2700K 10m
Warranty:	5 years

LIGHT TECHNICAL DATA

Max. Luminaire Lumen (lm):	15000
Light Source:	LED
Light Source Included:	Yes
Replaceability:	Non-replaceable LED
LED Colour:	Warm White
Colour Temperature (K):	2700
Colour Rendering Index (Ra):	>80
Colour Consistency (SDCM):	6
Luminous Intensity (cd):	415
Beam Angle (°):	120
Light sharing:	Symmetric
Light Outlet:	Direct
Number of Lamps (pcs):	1
Number of LED (pcs):	1200
LED Pitch (mm):	8
Life Time:	L70 90000h Ta 25°C
Nominal Life Time (h):	90000
Flicker (PstLM):	0,5

TECHNICAL DATA

Voltage (type):	AC
Voltage Interval (V):	220...240V
Voltage Nominal (V):	230
Line Frequency (Hz):	50, 60
Max. Power Luminaire (W):	150
Max. System Power (W):	150
Max. Efficiency Luminaire (lm/W):	100
Max. Efficiency System (lm/W):	100
Energy Efficiency Class (EU) 2019/2015:	E
Eprel registration number:	941635

OPERATION AND CONNECTION

Dimmable:	No
Connection (type):	Cord Set
Length Connection (cm):	300
Connection (mm ²):	2x1,0
Min. Ta (°C):	-25
Max. Ta (°C):	40
Max. Tc (°C):	80

COLOR AND MATERIAL

Material:	Copper, Silicone
Color:	White
Environmental Assessment:	Byggvarubedömningen

MEASUREMENT AND INSTALLATION

Operating Environment:	Outdoor
IP Degree of Protection:	65
Protection Class:	II
Installation:	Surface mounted
Mounting Installation:	Clips, Self Adhesive Tape
Approval Marks:	CE, VDE
Filament Test IEC 695-2-1(°C):	650
Length (mm):	10000
Width (mm):	12
Height (mm):	4
Weight (kg):	0,6

LEDSTRIPS

Min. Bend Radius (mm):	50
Min. Length (m):	0,1
Max. Length (m):	30
Cutting Increments (mm):	100





IMPORTANT FOR INSTALLING LEDSTRIPS **hidealite**

Below are important general installation instructions for safe and correct installation of LEDstrips, including recommendations for mounting and handling.

General Installation Instructions

- The installation should be performed by a qualified installer.
- Always check the respective LEDstrip manual and cut.
- For outdoor installation, ensure that the LED strip does not end up in standing water.

Installation and Preparations

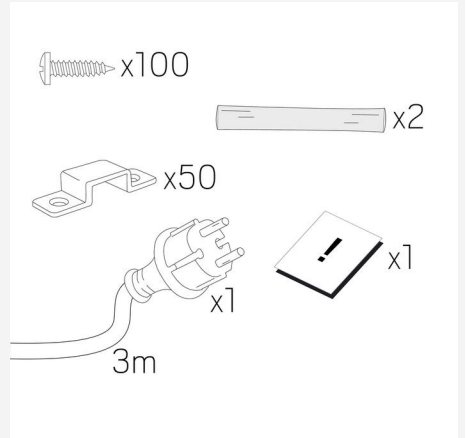
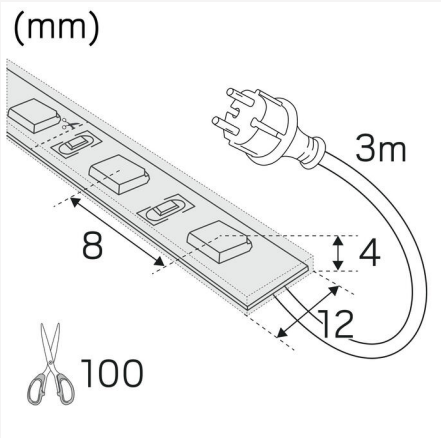
- Always check the respective LEDstrip manual before installation to ensure the correct maximum length.
- Do not bend the LEDstrip beyond the allowed limit. Use an intermediate cable for corners.
- Handle LED strips carefully to avoid damage.
- Make sure the power is switched off during installation and that the LEDstrips do not overlap to avoid overheating.
- Clean the surface where the LEDstrip will be mounted with, for example, denatured alcohol (T-spirit) for the best adhesion.
- All LEDstrips with a rating higher than IP20 must be properly sealed according to the manual for the product to meet its correct IP rating and to be covered by the warranty.

Environmental and Sustainability Factors

- It is important that the LED strip's maximum specified ambient temperature is taken into consideration in order to guarantee its life span. If this is exceeded, the life span can be shortened drastically.
- Carefully consider the appropriate placement of the LED strip for outdoor installations. Avoid areas that are hot and exposed to direct sunlight.
- For outdoor installation in a profile, the profile should be able to move in at least one direction. Profiles longer than 4 meters should be installed with at least a 1mm gap to allow for movement as the material expands due to temperature fluctuations. In this gap, the LED strip should be complemented with silicone/adhesive (taped LED strips can be in one continuous length as the LED strip expands along with the profile).*
- An aluminum profile is recommended for heat dissipation. The tape adheres best to an aluminum profile.
- LED strips should be installed on fixed structures such as buildings, facades, permanent outdoor fixtures, food signs, and ceiling/wall niches.
- When installing outdoors, obvious wind- and vibration-exposed environments should be avoided, e.g., bridges, open stair structures, and unstable signs.
- When using our extension arms or mounting on wooden surfaces outdoors, the maximum length is 10m.

*Should be complemented with silicone/adhesive

Version 2023/02/04





Hide-a-lite

7505740



150
kWh/1000h



2019/2015

