



KITCHEN LINE BASIC WHITE 2700K/3000K 1180

Easily installed cabinet luminaire with linear light. Perfect replacement for fluorescent tube luminaires or for new installations and retrofit work, such as in kitchens and laundry rooms. Easy to replace parts after use. Opal light outlet that creates a well balanced light distribution on both work surfaces and walls. Selectable colour temperature via DIP switch. On/Off switch on luminaire. Installation using double-sided tape and screws, plenty of space for cables, keyhole assembly and cable bushing on both the long and short sides.

DESCRIPTION

GTIN:	7392971145433
Item Name:	Kitchen Line Basic White 2700K/3000K 1180
Warranty:	5 years

LIGHT TECHNICAL DATA

Max. Luminaire Lumen (lm):	1520
Light Source:	LED
Light Source Included:	Yes
Replaceability:	Replaceable LED by professional, Replaceable Control gear by professional
LED Colour:	Warm White
Colour Temperature (K):	2700, 3000
Colour Rendering Index (Ra):	>90
Colour Consistency (SDCM):	3
Luminous Intensity (cd):	525
Beam Angle (°):	110
Light sharing:	Asymmetric
Light Outlet:	Direct
Number of Lamps (pcs):	1
Number of LED (pcs):	540
Life Time:	L80 100000h Ta 25°C
Nominel Life Time (h):	100000
Lumen maintenance 50 000h:	L90
Lumen maintenance 75 000h:	L86
Lumen maintenance 100 000h:	L81
LLMF @ 50 000h:	0.9
LLMF @ 100 000h:	0.81
Life Time Driver:	50 000h/5%
Flicker (PstLM):	0,012
Stroboscopic effect (SVM):	0,016

TECHNICAL DATA

Voltage (type):	AC
Voltage Interval (V):	220...240V
Voltage Nominal (V):	230
Line Frequency (Hz):	50
Power LED (W):	12,41
Max. Power Luminaire (W):	14
Max. System Power (W):	14
Max. Efficiency Luminaire (lm/W):	108,6
Max. Efficiency System (lm/W):	108,6
Containing light source energy efficiency class (EU) 2019/2015: E	
Eprel registration number:	1935417

OPERATION AND CONNECTION

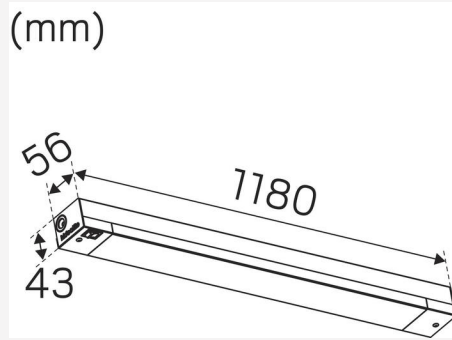
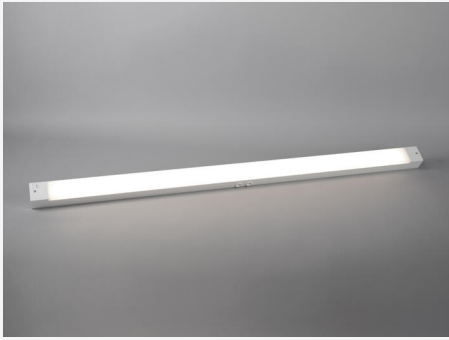
Dimmable:	No
Type of Dimming:	OnOff
Driver Included:	Yes
Driver Model:	Constant Current
Driver Type:	Built-in
Driver Manufacturer:	Hide-a-lite
Connection (type):	Quick Terminal
Connection (mm2):	3x0,5-2,5
Through Wiring:	Yes
Strain Relief:	Yes
Power Factor λ :	0,92
Efficiency (%):	86
Power loss (W):	1,95
Leakage current (mA) (at 230 V, 50 Hz, full load):	0,25
THD (%):	19
Standby Power:	0,5
Constant Current (mA):	300
Min. Ta (°C):	-20
Max. Ta (°C):	40
Max. Tc (°C):	75
Protection Against:	Short Circuit, Overload
Inrush current (max/time):	19,2A 460 μ s
Fuse B10 (pcs):	14
Fuse B16 (pcs):	22
Fuse C10 (pcs):	23
Fuse C16 (pcs):	37

COLOR AND MATERIAL

Material:	Steel
Color:	White
Environmental Assessment:	Byggvarubedömningen

MEASUREMENT AND INSTALLATION

Operating Environment:	Indoor / dry locations
IP Degree of Protection:	20
Protection Class:	I
Installation:	Surface mounted
Mounting Installation:	Screw Mounting, Self Adhesive Tape
Approval Marks:	CE, a Hide-a-lite Choice
Filament Test IEC 695-2-1(°C):	650
Length (mm):	1180
Width (mm):	56
Height (mm):	43
Weight (kg):	1,275



hideolite
choice

We focus on sustainability using recycled material for creating innovative luminaires, as well as replaceable LEDs and drivers.

Luminaires built for the future!

A promotional graphic for 'hideolite choice'. It features a green globe icon with a circular arrow around it, symbolizing sustainability. The text 'hideolite choice' is prominently displayed. Below it, a short paragraph describes the company's focus on sustainability and innovative lighting solutions. At the bottom, the slogan 'Luminaires built for the future!' is written.