



## LITELINE IP66+ 1500

Liteline IP66+ is a luminaire for demanding environments, designed to withstand corrosive conditions and suitable for spaces such as pig pens, cow sheds and horse stables. The well-thought-out design allows connection and access to drivers without opening the housing. Control the lighting via On/Off or DALI. The sliding brackets make installation quick and easy. With Liteline IP66+, you get a replaceable LED and driver, as well as the possibility of choosing colour temperature 3000K/4000K and adjusting lumen output via DIP-switch. Through wiring On/Off 5x2.5 mm<sup>2</sup>. M20 cable gland in each end cap and an extra accessory with two M20 screw connections if needed. Diffuser in PMMA and end caps in PC. Adapted for installation on luminaire rail, keyhole for installation in ceiling and integrated wire suspension with hook and hook lock. D-marked for protection against increased fire risk.

### DESCRIPTION

<b>GTIN:</b>	7392971150642
<b>Item Name:</b>	Liteline IP66+ 1500
<b>Warranty:</b>	5 years

## LIGHT TECHNICAL DATA

<b>Max. Luminaire Lumen (lm):</b>	8550
<b>Light Source:</b>	LED
<b>Replaceability:</b>	Replaceable LED by professional, Replaceable Control gear by professional
<b>LED Colour:</b>	White
<b>Colour Temperature (K):</b>	3000, 4000
<b>Colour Rendering Index (Ra):</b>	>80
<b>Colour Consistency (SDCM):</b>	3
<b>Luminous Intensity (cd):</b>	2990
<b>Beam Angle (°):</b>	105
<b>Light sharing:</b>	Symmetric
<b>Light Outlet:</b>	Direct
<b>Number of Lamps (pcs):</b>	1
<b>Number of LED (pcs):</b>	442
<b>Life Time:</b>	h Ta °C
<b>Nominal Life Time (h):</b>	100000
<b>Lumen maintenance 50 000h:</b>	L92
<b>Lumen maintenance 75 000h:</b>	L85
<b>Lumen maintenance 100 000h:</b>	L80
<b>LLMF @ 50 000h:</b>	0.92
<b>LLMF @ 100 000h:</b>	0.8
<b>Life Time Driver:</b>	100 000h/10%
<b>Flicker (PstLM):</b>	1
<b>Stroboscopic effect (SVM):</b>	0,4

## TECHNICAL DATA

<b>Voltage (type):</b>	AC
<b>Voltage Interval (V):</b>	220...240V
<b>Voltage Nominal (V):</b>	230
<b>Line Frequency (Hz):</b>	50
<b>Max. Power Luminaire (W):</b>	55
<b>Max. System Power (W):</b>	55
<b>Max. Efficiency Luminaire (lm/W):</b>	155,5
<b>Max. Efficiency System (lm/W):</b>	155,5
<b>Containing light source energy efficiency class (EU) 2019/2015: C</b>	

## OPERATION AND CONNECTION

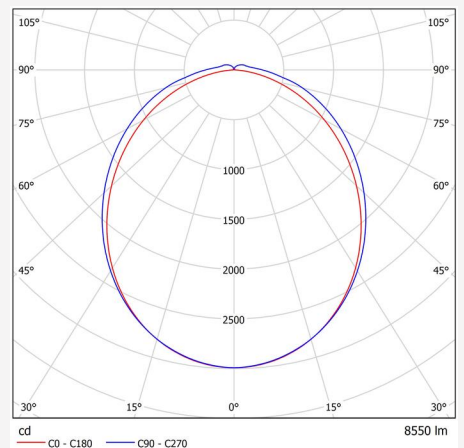
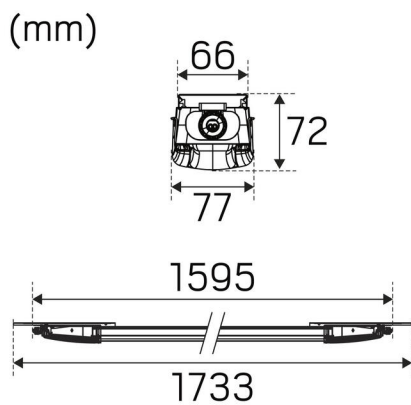
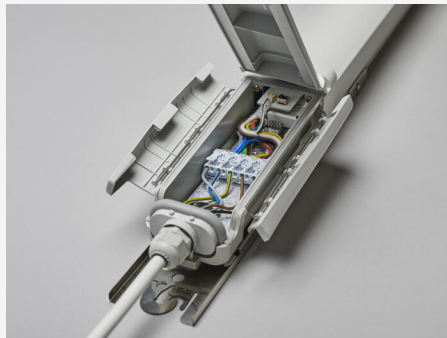
<b>Dimmable:</b>	No
<b>Type of Dimming:</b>	DIP-Switch Power, OnOff
<b>Driver Included:</b>	Yes - replaceable
<b>Driver Model:</b>	Constant Current
<b>Driver Type:</b>	Built-in
<b>Driver Manufacturer:</b>	Tridonic
<b>Connection (type):</b>	Quick Terminal
<b>Connection (mm2):</b>	5x0,5-2,5
<b>Through Wiring:</b>	Yes
<b>Strain Relief:</b>	Yes
<b>Power Factor <math>\lambda</math>:</b>	0,93
<b>Efficiency (%):</b>	95
<b>THD (%):</b>	10
<b>Constant Current (mA):</b>	700, 850, 900, 1050
<b>Min. Ta (°C):</b>	-25
<b>Max. Ta (°C):</b>	35
<b>Max. Tc (°C):</b>	80
<b>Protection Against:</b>	Short Circuit, Overload
<b>Mains surge protection DM (kV):</b>	4
<b>Fuse B10 (pcs):</b>	22
<b>Fuse B16 (pcs):</b>	35
<b>Fuse C10 (pcs):</b>	23
<b>Fuse C16 (pcs):</b>	35

## COLOR AND MATERIAL

<b>Material:</b>	Recycled, Plastic
<b>Color:</b>	Grey
<b>Environmental Assessment:</b>	EPD
<b>Available in special color:</b>	No

## MEASUREMENT AND INSTALLATION

<b>Operating Environment:</b>	Indoor / wet locations
<b>IP Degree of Protection:</b>	66
<b>Protection Class:</b>	I
<b>Installation:</b>	Ceiling, Wall, Surface mounted, Wire-cable installation
<b>Mounting Installation:</b>	Screw Mounting, Hook
<b>Fire Safety Marks:</b>	D-mark
<b>Approval Marks:</b>	CE, a Hide-a-lite Choice
<b>Impact Strength:</b>	IK07
<b>Filament Test IEC 695-2-1(°C):</b>	650
<b>Length (mm):</b>	1595
<b>Width (mm):</b>	77
<b>Height (mm):</b>	72
<b>Weight (kg):</b>	3,2



### LITELINE IP66+ 1500 ON/OFF DIP-POWER

mA	Watt	3000K	4000K
700mA	36W	5500lm	5750lm
850mA	45W	6700lm	7050lm
900mA	47W	7050lm	7400lm
1050mA	55W	8100lm	8550lm

Factory setting: 1050mA, 4000K



**ELEKTRO ELCO**  
**LITELINE IP66+ 1500**  
 ✓ Resistance to ammonia  
 ✓ Cleaning distance  
 ✓ Flicker free  
 DLG Test Report 7553



**hide a lite**  
 choice

We focus on sustainability using recycled material for creating innovative luminaires, as well as replaceable LEDs and drivers.

Luminaires built for the future!