



LEDSTRIP 24V NEON TOP IP67 3000K LPM

Top bending LEDstrip, IP67-rated, available in longer lengths with accessories that you can easily fit yourself. Flexible, high quality silicon casing that gives strong, durable protection. Homogenous spot-free lighting without accessories. Comes in 5m rolls with 3m connection cable at one end, 15 clips, screws, one end cap and one end cap for cable for quick and easy installation. Also available made to measure in optional lengths up to 17m (RGB 13m). Upon request, running meters with connection cables are delivered according to your specifications; running meters are delivered as standard without connection cables. Connects to 24VDC, drivers ordered separately.

DESCRIPTION

GTIN:	7392971141732
Item Name:	LEDstrip 24V Neon Top IP67 3000K lpm
Warranty:	5 years

LIGHT TECHNICAL DATA

Max. Luminaire Lumen (lm):	620
Light Source:	LED
Light Source Included:	Yes
Replaceability:	Non-replaceable LED
LED Colour:	Warm White
Colour Temperature (K):	3000
Colour Rendering Index (Ra):	>80
Colour Consistency (SDCM):	3
Luminous Intensity (cd):	190
Beam Angle (°):	120
Light sharing:	Symmetric
Light Outlet:	Direct
Number of Lamps (pcs):	1
Number of LED (pcs):	120
LED Pitch (mm):	8
Life Time:	L90 100000h Ta 25°C
Nominal Life Time (h):	100000
Lumen maintenance 50 000h:	L98
Lumen maintenance 75 000h:	L97
Lumen maintenance 100 000h:	L95
LLMF @ 50 000h:	0.98
LLMF @ 100 000h:	0.95

TECHNICAL DATA

Voltage (type):	DC
Voltage Interval (V):	24...24V
Voltage Nominal (V):	24
Max. Power Luminaire (W):	10
Max. System Power (W):	11
Max. Efficiency Luminaire (lm/W):	62
Max. Efficiency System (lm/W):	56,4
Energy Efficiency Class (EU) 2019/2015:	G
Eprel registration number:	931180

OPERATION AND CONNECTION

Dimmable:	Yes
Driver Included:	No
Driver Model:	Constant Voltage
Min. Ta (°C):	-25
Max. Ta (°C):	45
Max. Tc (°C):	85

COLOR AND MATERIAL

Material:	Copper, Silicone
Color:	White

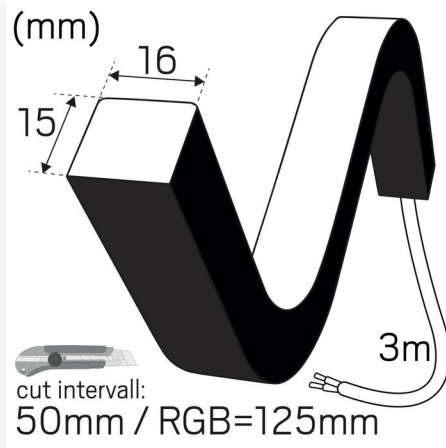
MEASUREMENT AND INSTALLATION

Operating Environment:	Indoor / bathroom (ceiling area 1), Outdoor
IP Degree of Protection:	67
Protection Class:	III
Installation:	Surface mounted
Mounting Installation:	Clips
Approval Marks:	CE
Filament Test IEC 695-2-1(°C):	650
Requires cooling:	No
Length (mm):	1000
Width (mm):	16
Height (mm):	15
Weight (kg):	0,33

LEDSTRIPS

Min. Bend Radius (mm):	120
Min. Length (m):	0,057
Max. Length (m):	17
Cutting Increments (mm):	50





Hide-a-lite

7507409



10
kWh/1000h

