

HEATLINE 50 2700K

LEDstrip for saunas rated IP44. Creates a pleasant warm white raking light with incandescent bulb character. Should be installed in locations where the temperature does not exceed 80°C. Luminaire casing of warm and age-resistant plastic, end pieces of aluminium with brushed finish. Comes ready with screw connections and 5 cm cable on each side (linkable), 5 m heat resistant silicon cable with screw connection and clips and screws of stainless steel for easy installation. Connects to constant current 350 mA.

DESCRIPTION

| | |
|-------------------|-------------------|
| GTIN: | 7392971124056 |
| Item Name: | Heatline 50 2700K |
| Warranty: | 5 years |

LIGHT TECHNICAL DATA

| | |
|-------------------------------------|---------------------|
| Max. Luminaire Lumen (lm): | 380 |
| Light Source: | LED |
| Light Source Included: | Yes |
| Replaceability: | Non-replaceable LED |
| LED Colour: | Warm White |
| Colour Temperature (K): | 2700 |
| Colour Rendering Index (Ra): | >80 |
| Colour Consistency (SDCM): | 3 |
| Luminous Intensity (cd): | 60 |
| Beam Angle (°): | 150 |
| Light sharing: | Symmetric |
| Light Outlet: | Direct |
| Number of Lamps (pcs): | 1 |
| Number of LED (pcs): | 5 |
| Life Time: | h Ta °C |
| Nominal Life Time (h): | 50000 |
| Lumen maintenance 50 000h: | L80 |
| LLMF @ 50 000h: | 0.8 |

TECHNICAL DATA

| | |
|--|-----|
| Max. Power Luminaire (W): | 5,5 |
| Max. Efficiency Luminaire (lm/W): | 76 |

OPERATION AND CONNECTION

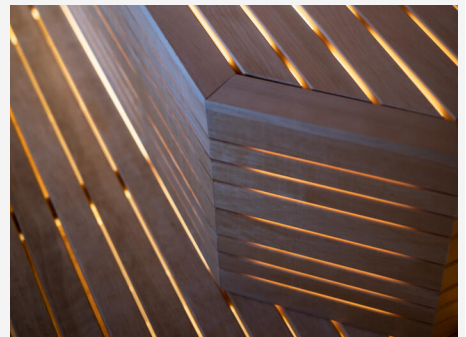
| | |
|--------------------------------|------------------|
| Dimmable: | Yes |
| Driver Included: | No |
| Driver Model: | Constant Current |
| Connection (type): | Screw Terminals |
| Length Connection (cm): | 5 |
| Constant Current (mA): | 350 |
| Min. Ta (°C): | -25 |
| Max. Ta (°C): | 125 |

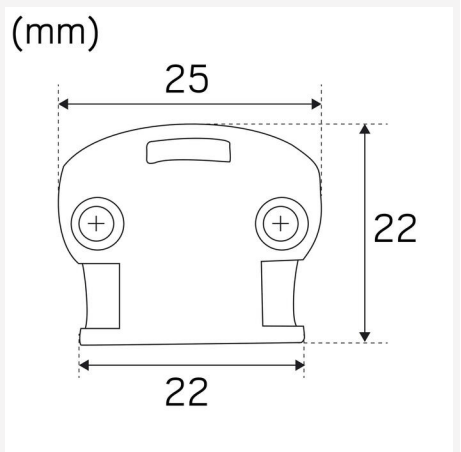
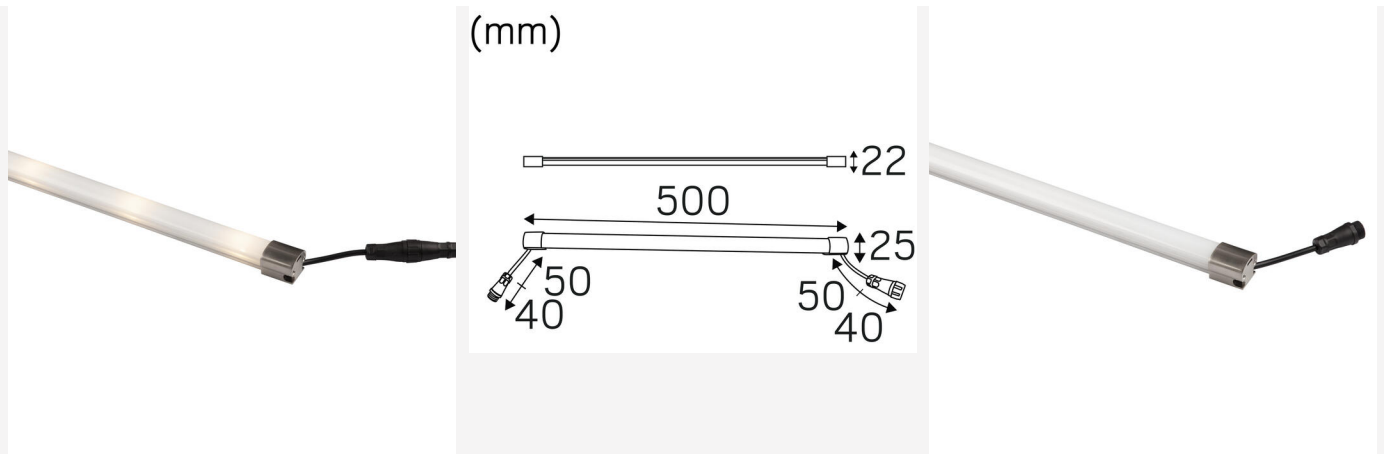
COLOR AND MATERIAL


| | |
|----------------------------------|---------------------|
| Material: | Aluminium, Plastic |
| Color: | Opal White |
| Environmental Assessment: | Byggvarubedömningen |

MEASUREMENT AND INSTALLATION

| | |
|---------------------------------|---------------------------------|
| Operating Environment: | Indoor / wet locations, Outdoor |
| IP Degree of Protection: | 44 |
| Installation: | Surface mounted |
| Mounting Installation: | Clips |
| Approval Marks: | CE |
| Length (mm): | 500 |
| Width (mm): | 22 |
| Height (mm): | 22 |
| Weight (kg): | 0,17 |







Hide-a-lite
Heatline 50 2700K

A
B
C
D
E ←
F
G

5
kWh/1000h

 2019/2015