



## HEATLINE 100 2700K

LEDstrip for saunas rated IP44. Creates a pleasant warm white raking light with incandescent bulb character. Should be installed in locations where the temperature does not exceed 80°C. Luminaire casing of warm and age-resistant plastic, end pieces of aluminium with brushed finish. Comes ready with screw connections and 5 cm cable on each side (linkable), 5 m heat resistant silicon cable with screw connection and clips and screws of stainless steel for easy installation. Connects to constant current 350 mA.

### DESCRIPTION

GTIN:	7392971124049
Item Name:	Heatline 100 2700K
Warranty:	5 years

### LIGHT TECHNICAL DATA

Max. Luminaire Lumen (lm):	760
Light Source:	LED
Light Source Included:	Yes
Replaceability:	Non-replaceable LED
LED Colour:	Warm White
Colour Temperature (K):	2700
Colour Rendering Index (Ra):	>80
Colour Consistency (SDCM):	3
Luminous Intensity (cd):	120
Beam Angle (°):	150
Light sharing:	Symmetric
Light Outlet:	Direct
Number of Lamps (pcs):	1
Number of LED (pcs):	10
Life Time:	L80 50000h Ta 80°C
Nominal Life Time (h):	50000
Lumen maintenance 50 000h:	L80
LLMF @ 50 000h:	0.8

### TECHNICAL DATA

Max. Power Luminaire (W):	10,5
Max. Efficiency Luminaire (lm/W):	72,4
Eprel registration number:	1364977

## OPERATION AND CONNECTION

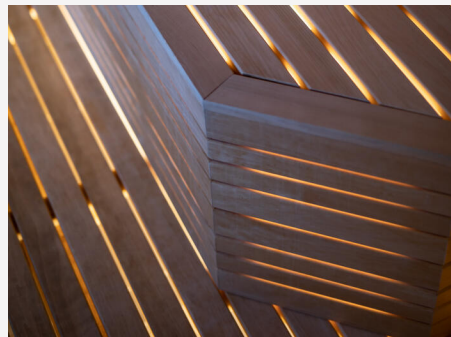
<b>Dimmable:</b>	Yes
<b>Driver Included:</b>	No
<b>Driver Model:</b>	Constant Current
<b>Connection (type):</b>	Screw Terminals
<b>Length Connection (cm):</b>	5
<b>Constant Current (mA):</b>	350
<b>Min. Ta (°C):</b>	-25
<b>Max. Ta (°C):</b>	125

## COLOR AND MATERIAL

<b>Material:</b>	Aluminium, Plastic
<b>Color:</b>	Opal White
<b>Environmental Assessment:</b>	Byggvarubedömningen

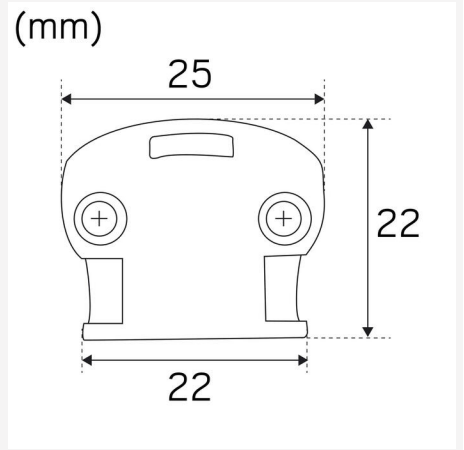
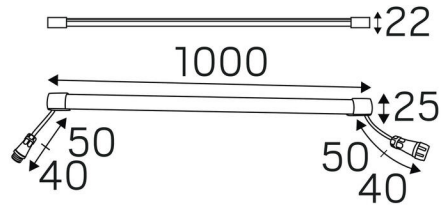
## MEASUREMENT AND INSTALLATION

<b>Operating Environment:</b>	Indoor / wet locations, Outdoor
<b>IP Degree of Protection:</b>	44
<b>Installation:</b>	Surface mounted
<b>Mounting Installation:</b>	Clips
<b>Approval Marks:</b>	CE
<b>Length (mm):</b>	1000
<b>Width (mm):</b>	22
<b>Height (mm):</b>	22
<b>Weight (kg):</b>	0,35





(mm)



**Hide-a-lite**  
Heatline 100 2700K



**10**  
kWh/1000h

