

## HEATSPOT G2 KIT BS 2700K

Complete kit that makes it easy to install discrete and ambient small points of light for decorative lighting in saunas. Fixtures in brushed steel with lumen output adjusted for good glare-free lighting. These fixtures have two wires with quick connections for easy series connection. The kit comprises 6x luminaires with phase dimmable driver, extension cable and connecting cables. Also available as single fixture. The driver can support and dim 5-12 luminaires. Front rings in black or brass available as accessories.

### DESCRIPTION

<b>GTIN:</b>	7392971138800
<b>Item Name:</b>	Heatspot G2 Kit BS 2700K
<b>Warranty:</b>	5 years

### LIGHT TECHNICAL DATA

<b>Max. Luminaire Lumen (lm):</b>	20
<b>Light Source:</b>	LED
<b>Light Source Included:</b>	Yes
<b>Replaceability:</b>	Non-replaceable LED, Replaceable Control gear by professional
<b>LED Colour:</b>	Warm White
<b>Colour Temperature (K):</b>	2700
<b>Colour Rendering Index (Ra):</b>	>90
<b>Colour Consistency (SDCM):</b>	3
<b>Luminous Intensity (cd):</b>	6x20
<b>Beam Angle (°):</b>	45
<b>Light sharing:</b>	Symmetric
<b>Light Outlet:</b>	Direct
<b>Number of Lamps (pcs):</b>	6
<b>Number of LED (pcs):</b>	6
<b>Life Time:</b>	h Ta °C
<b>Nominal Life Time (h):</b>	100000
<b>Lumen maintenance 100 000h:</b>	L70
<b>LLMF @ 100 000h:</b>	0.7
<b>Life Time Driver:</b>	50 000h/5%

## TECHNICAL DATA

Voltage (type):	AC
Voltage Interval (V):	220...240V
Voltage Nominal (V):	230
Line Frequency (Hz):	50
Power LED (W):	2,5
Max. Power Luminaire (W):	0,4
Max. System Power (W):	3,8
Max. Efficiency System (lm/W):	7

## OPERATION AND CONNECTION

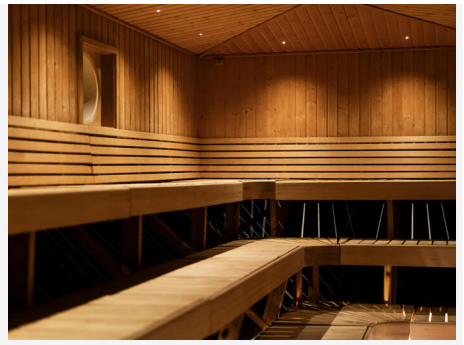
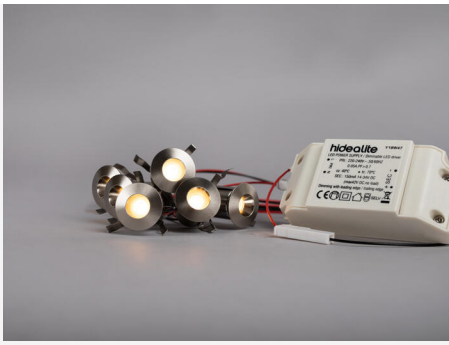
Dimmable:	Yes
Type of Dimming:	Trailing Edge, Leading Edge
Driver Included:	Yes
Driver Model:	Constant Current
Driver Type:	Stand Alone
Connection (type):	Cord Set, Mini Contact
Length Connection (cm):	200
Connection (mm <sup>2</sup> ):	2x1,0
Strain Relief:	Yes
Power Factor $\lambda$ :	0,9
Efficiency (%):	73
Constant Current (mA):	150
Min. Ta (°C):	-20
Max. Ta (°C):	125
Max. Tc (°C):	135
Dimming secondary side:	AM
Protection Against:	Overload
Fuse B10 (pcs):	50
Fuse B16 (pcs):	70
Fuse C10 (pcs):	60
Fuse C16 (pcs):	80

## COLOR AND MATERIAL

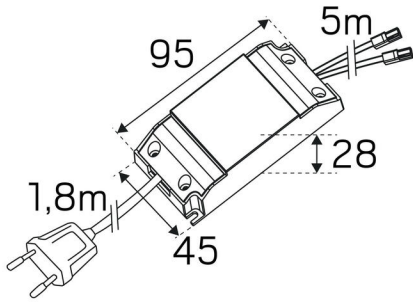
Material:	Aluminium
Color:	Brushed Steel
Environmental Assessment:	Byggvarubedömningen

## MEASUREMENT AND INSTALLATION

Operating Environment:	Indoor / bathroom (ceiling area 1)
IP Degree of Protection:	44
Protection Class:	II
Installation:	Built-in
Mounting Installation:	Tension Spring
Ceiling Thickness Interval (mm):	5-27mm
Fire Safety Marks:	Not in insulation without protection cover
Protection Cover:	7466700, 7466701, 7466702
Approval Marks:	CE
Filament Test IEC 695-2-1(°C):	650
Height (mm):	30
Diameter (mm):	25
Weight (kg):	0,353
Min. Built-in (mm):	50x50x32
Height Recessed Part (mm):	27
Height Exterior Part (mm):	3
Built-in Ø (mm):	22-23mm



(mm)



(mm)

