



GLOBE G2 RECESSED BLACK 3000K

Exclusive downlight in modern design with cupped reflector. High lumen output and deeply placed light source provide a glare-free light. The appearance of the luminaire can be reinforced with reflectors in various colours to match choices of materials and interior. Globe G2 is the natural choice for homes as well as hotels and restaurants. Complete with mains dimmable driver, 3-pole push-in terminal for through wiring and strain relief for cable or flex hose 16 mm. Dimmable with the most commonly available dimmers on the market. Can be delivered with Converter DALI.

DESCRIPTION

GTIN:	7392971136165
Item Name:	Globe G2 Recessed Black 3000K
Warranty:	5 years

LIGHT TECHNICAL DATA

Max. Luminaire Lumen (lm):	660
Light Source:	LED
Replaceability:	Non-replaceable LED, Replaceable Control gear by professional
LED Colour:	Warm White
Colour Temperature (K):	3000
Colour Rendering Index (Ra):	>90
Colour Consistency (SDCM):	3
Luminous Intensity (cd):	1390
Beam Angle (°):	36
Light sharing:	Symmetric
Light Outlet:	Direct
Number of Lamps (pcs):	1
Number of LED (pcs):	1
Life Time:	h Ta °C
Nominal Life Time (h):	80000
Life Time Driver:	50 000h/5%
Flicker (PstLM):	0,086
Stroboscopic effect (SVM):	0,02

TECHNICAL DATA

Voltage (type):	AC
Voltage Interval (V):	220...240V
Voltage Nominal (V):	230
Line Frequency (Hz):	50
Power LED (W):	6,5
Max. Power Luminaire (W):	8
Max. System Power (W):	8
Max. Efficiency Luminaire (lm/W):	82,5
Max. Efficiency System (lm/W):	82,5
Containing light source energy efficiency class (EU) 2019/2015: F	
Eprel registration number:	984534

OPERATION AND CONNECTION

Dimmable:	Yes
Type of Dimming:	Trailing Edge, Leading Edge
Driver Included:	Yes
Driver Model:	Constant Current
Driver Type:	Stand Alone
Connection (type):	Quick Terminal
Connection (mm2):	3x0,5-2,5
Through Wiring:	Yes
Strain Relief:	Yes
Leakage current (mA) (at 230 V, 50 Hz, full load):	0,16
Constant Current (mA):	180
Min. Ta (°C):	-20
Max. Ta (°C):	40
Max. Tc (°C):	85
Dimming secondary side:	AM
Protection Against:	Short Circuit, Overheating 110°C, Overload
Inrush current (max/time):	6A 100µs
Fuse B10 (pcs):	60
Fuse B16 (pcs):	90
Fuse C10 (pcs):	73
Fuse C16 (pcs):	110

COLOR AND MATERIAL

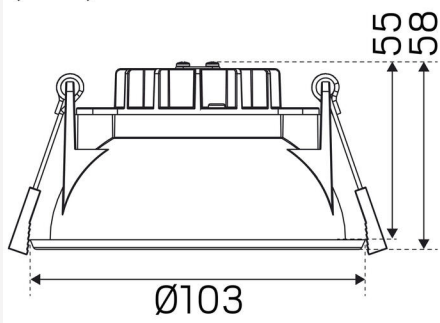
Material:	Aluminium
Color:	Black

MEASUREMENT AND INSTALLATION

Operating Environment:	Indoor / bathroom (ceiling area 1), Outdoor
IP Degree of Protection:	44
Protection Class:	II
Installation:	Built-in
Mounting Installation:	Mounting Spring
Ceiling Thickness Interval (mm):	3-40mm
Fire Safety Marks:	Not in insulation without protection cover
Protection Cover:	7466700, 7466701, 7466702
Approval Marks:	CE, SELV
Filament Test IEC 695-2-1(°C):	650
Height (mm):	58
Diameter (mm):	103
Weight (kg):	0,28
Min. Built-in (mm):	250x250x60
Height Recessed Part (mm):	55
Height Exterior Part (mm):	3
Built-in Ø (mm):	92-96mm



(mm)



(mm)

