



## OPTIC XS TILT WHITE TUNE

Exclusive small tiltable accent luminaire with well-developed reflector technology. Gives a discrete and glare free light with very good colour rendering, Ra>95. Small and low-build – perfect for secondary spaced boarding 28mm with 13mm gypsum. Beautiful as accent lighting solo or in group when directed lighting is desired. Complete with small mains dimmable driver, push-in, loop-in, loop-out terminals and screwless strain relief for easy installation. Dimmable with the most commonly available dimmers on the market.

### DESCRIPTION

|                   |                          |
|-------------------|--------------------------|
| <b>GTIN:</b>      | 7392971135878            |
| <b>Item Name:</b> | Optic XS Tilt White Tune |
| <b>Warranty:</b>  | 5 years                  |

### LIGHT TECHNICAL DATA

|                                      |   |
|--------------------------------------|---|
| <b>Max. Luminaire Lumen (lm):</b>    | 205   |
| <b>Light Source:</b>                 | LED   |
| <b>Replaceability:</b>               | Non-replaceable LED, Replaceable Control gear by professional |
| <b>LED Colour:</b>                   | Tune  |
| <b>Colour Temperature (K):</b>       | 2700  |
| <b>Range Colour Temperature (K):</b> | Tune 2000-2700  |
| <b>Colour Rendering Index (Ra):</b>  | >95   |
| <b>Colour Consistency (SDCM):</b>    | 3   |
| <b>Luminous Intensity (cd):</b>      | 310   |
| <b>Beam Angle (°):</b>               | 45  |
| <b>Light sharing:</b>                | Symmetric   |
| <b>Light Outlet:</b>                 | Direct  |
| <b>Number of Lamps (pcs):</b>        | 1   |
| <b>Number of LED (pcs):</b>          | 1   |
| <b>Life Time:</b>                    | h Ta °C   |
| <b>Nominal Life Time (h):</b>        | 100000  |
| <b>Life Time Driver:</b>             | 50 000h/10%   |
| <b>Flicker (PstLM):</b>              | 0,02  |
| <b>Stroboscopic effect (SVM):</b>    | 0,304   |

## TECHNICAL DATA

|   |            |
|---|------------|
| Adjustable:   | Yes        |
| Tilttable (°):  | 20         |
| Voltage (type):   | AC         |
| Voltage Interval (V):   | 220...240V |
| Voltage Nominal (V):  | 230        |
| Line Frequency (Hz):  | 50, 60     |
| Power LED (W):  | 3          |
| Max. Power Luminaire (W):   | 4          |
| Max. System Power (W):  | 4          |
| Max. Efficiency Luminaire (lm/W):                                 | 51,3       |
| Max. Efficiency System (lm/W):                                    | 51,3       |
| Containing light source energy efficiency class (EU) 2019/2015: F |            |
| Eprel registration number:  | 1023984    |

## OPERATION AND CONNECTION

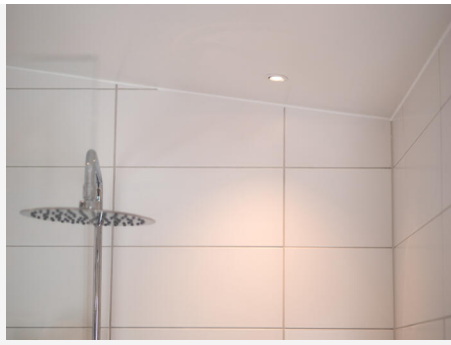
|                                |                             |
|--------------------------------|-----------------------------|
| Dimmable:                      | Yes                         |
| Type of Dimming:               | Trailing Edge, Leading Edge |
| Driver Included:               | Yes                         |
| Driver Model:                  | Constant Current            |
| Driver Type:                   | Stand Alone                 |
| Connection (type):             | Quick Terminal              |
| Connection (mm <sup>2</sup> ): | 3x0,5-1,5                   |
| Through Wiring:                | Yes                         |
| Strain Relief:                 | Yes                         |
| Min. Ta (°C):                  | -20                         |
| Max. Ta (°C):                  | 40                          |
| Max. Tc (°C):                  | 85                          |
| Dimming secondary side:        | AM                          |
| Fuse B10 (pcs):                | 75                          |
| Fuse B16 (pcs):                | 100                         |
| Fuse C10 (pcs):                | 100                         |
| Fuse C16 (pcs):                | 125                         |

## COLOR AND MATERIAL

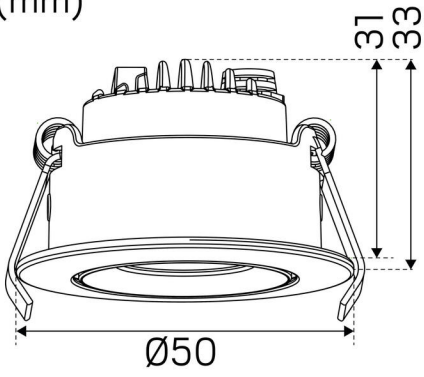
|                           |                     |
|---------------------------|---------------------|
| Material:                 | Aluminium           |
| Color:                    | White               |
| Environmental Assessment: | Byggvarubedömningen |

## MEASUREMENT AND INSTALLATION

|                                  |   |
|----------------------------------|---|
| Operating Environment:           | Indoor / bathroom (ceiling area 1), Outdoor |
| IP Degree of Protection:         | 44  |
| Protection Class:                | II  |
| Installation:                    | Built-in                                    |
| Mounting Installation:           | Mounting Spring                             |
| Ceiling Thickness Interval (mm): | 3-13mm                                      |
| Fire Safety Marks:               | Not in insulation without protection cover  |
| Protection Cover:                | 7466700, 7466701, 7466702                   |
| Approval Marks:                  | CE, SELV                                    |
| Height (mm):                     | 33  |
| Diameter (mm):                   | 50  |
| Weight (kg):                     | 0,1   |
| Min. Built-in (mm):              | 200x230x28                                  |
| Height Recessed Part (mm):       | 31  |
| Height Exterior Part (mm):       | 2   |
| Built-in Ø (mm):                 | 44-47mm                                     |



(mm)



(mm)

