



OPTIC XS TILT WHITE 2700K

Exclusive small tiltable accent luminaire with well-developed reflector technology. Gives a discrete and glare free light with very good colour rendering, Ra>95. Small and low-build – perfect for secondary spaced boarding 28mm with 13mm gypsum. Beautiful as accent lighting solo or in group when directed lighting is desired. Complete with small mains dimmable driver, push-in, loop-in, loop-out terminals and screwless strain relief for easy installation. Dimmable with the most commonly available dimmers on the market.

DESCRIPTION

GTIN:	7392971135885
Item Name:	Optic XS Tilt White 2700K
Warranty:	5 years

LIGHT TECHNICAL DATA

Max. Luminaire Lumen (lm):	230
Light Source:	LED
Replaceability:	Non-replaceable LED, Replaceable Control gear by professional
LED Colour:	Warm White
Colour Temperature (K):	2700
Colour Rendering Index (Ra):	>95
Colour Consistency (SDCM):	3
Luminous Intensity (cd):	370
Beam Angle (°):	45
Light sharing:	Symmetric
Light Outlet:	Direct
Number of Lamps (pcs):	1
Number of LED (pcs):	1
Life Time:	h Ta °C
Nominal Life Time (h):	100000
Life Time Driver:	50 000h/10%
Flicker (PstLM):	0,02
Stroboscopic effect (SVM):	0,304

TECHNICAL DATA

Adjustable:	Yes
Tilttable (°):	20
Voltage (type):	AC
Voltage Interval (V):	220...240V
Voltage Nominal (V):	230
Line Frequency (Hz):	50, 60
Power LED (W):	3
Max. Power Luminaire (W):	4
Max. System Power (W):	4
Max. Efficiency Luminaire (lm/W):	57,5
Max. Efficiency System (lm/W):	57,5
Containing light source energy efficiency class (EU) 2019/2015: G	
Eprel registration number:	908244

OPERATION AND CONNECTION

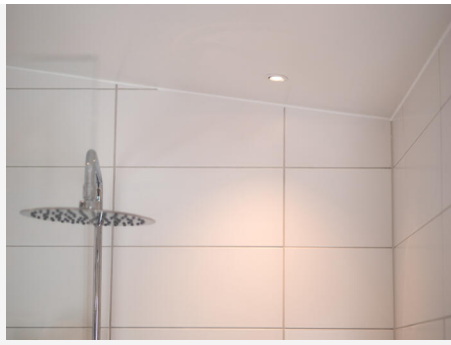
Dimmable:	Yes
Type of Dimming:	Trailing Edge, Leading Edge
Driver Included:	Yes
Driver Model:	Constant Current
Driver Type:	Stand Alone
Connection (type):	Quick Terminal
Connection (mm ²):	3x0,5-1,5
Through Wiring:	Yes
Strain Relief:	Yes
Min. Ta (°C):	-20
Max. Ta (°C):	40
Max. Tc (°C):	85
Dimming secondary side:	AM
Fuse B10 (pcs):	75
Fuse B16 (pcs):	100
Fuse C10 (pcs):	100
Fuse C16 (pcs):	125

COLOR AND MATERIAL

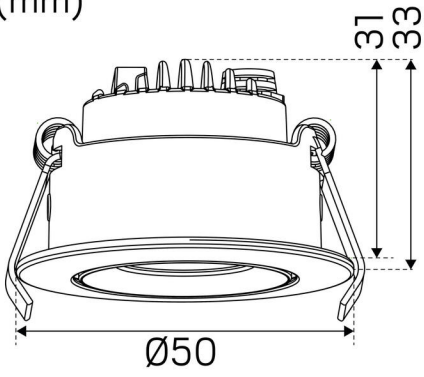
Material:	Aluminium
Color:	White
Environmental Assessment:	Byggvarubedömningen

MEASUREMENT AND INSTALLATION

Operating Environment:	Indoor / bathroom (ceiling area 1), Outdoor
IP Degree of Protection:	44
Protection Class:	II
Installation:	Built-in
Mounting Installation:	Mounting Spring
Ceiling Thickness Interval (mm):	3-13mm
Fire Safety Marks:	Not in insulation without protection cover
Protection Cover:	7466700, 7466701, 7466702
Approval Marks:	CE, SELV
Height (mm):	33
Diameter (mm):	50
Weight (kg):	0,1
Min. Built-in (mm):	200x230x28
Height Recessed Part (mm):	31
Height Exterior Part (mm):	2
Built-in Ø (mm):	44-47mm



(mm)



(mm)

