



## LEVEL QUICK ISO BLACK 2700K

Effective and low-build for installation in 28mm secondary spaced boarding with 13mm plasterboard, approved for installation directly against insulation. An easily installed tiltable luminaire with a modern expression. Lens technology and recessed light source giving a discrete and glare free light with very good colour rendering, Ra>95. IP44 rated for installation both indoors and outdoors. Mains dimmable driver, 3-pole push-in terminal for through wiring and screwless strain relief for cable or flex hose 16 mm. Dimmable with most common dimmers on the market.

### DESCRIPTION

<b>GTIN:</b>	7392971140018
<b>Item Name:</b>	Level Quick ISO Black 2700K
<b>Warranty:</b>	5 years

### LIGHT TECHNICAL DATA

<b>Max. Luminaire Lumen (lm):</b>	480
<b>Light Source:</b>	LED
<b>Replaceability:</b>	Non-replaceable LED, Replaceable Control gear by professional
<b>LED Colour:</b>	Warm White
<b>Colour Temperature (K):</b>	2700
<b>Colour Rendering Index (Ra):</b>	>90
<b>Colour Consistency (SDCM):</b>	3
<b>Luminous Intensity (cd):</b>	760
<b>Beam Angle (°):</b>	36
<b>Light sharing:</b>	Symmetric
<b>Light Outlet:</b>	Direct
<b>Number of Lamps (pcs):</b>	1
<b>Number of LED (pcs):</b>	1
<b>Life Time:</b>	h Ta °C
<b>Nominal Life Time (h):</b>	100000
<b>Lumen maintenance 50 000h:</b>	L91
<b>Lumen maintenance 75 000h:</b>	L87
<b>Lumen maintenance 100 000h:</b>	L83
<b>LLMF @ 50 000h:</b>	0.91
<b>LLMF @ 100 000h:</b>	0.83
<b>Life Time Driver:</b>	50 000h/5%
<b>Flicker (PstLM):</b>	0,026
<b>Stroboscopic effect (SVM):</b>	0,028

## TECHNICAL DATA

Adjustable:	Yes
Tilttable (°):	20
Voltage (type):	AC
Voltage Interval (V):	220...240V
Voltage Nominal (V):	230
Line Frequency (Hz):	50, 60
Power LED (W):	4,6
Max. Power Luminaire (W):	6
Max. System Power (W):	6
Max. Efficiency Luminaire (lm/W):	80
Max. Efficiency System (lm/W):	80
Containing light source energy efficiency class (EU) 2019/2015: F	
Eprel registration number:	869207

## OPERATION AND CONNECTION

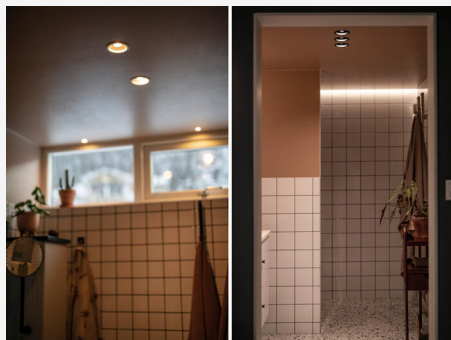
Dimmable:	Yes
Type of Dimming:	Trailing Edge
Driver Included:	Yes
Driver Model:	Constant Current
Driver Type:	Stand Alone
Driver Manufacturer:	Hide-a-lite
Connection (type):	Quick Terminal
Connection (mm <sup>2</sup> ):	3x0,5-2,5
Through Wiring:	Yes
Strain Relief:	Yes
Power Factor $\lambda$ :	0,9
Efficiency (%):	81
Power loss (W):	1,1
Constant Current (mA):	145
Min. Ta (°C):	-20
Max. Ta (°C):	40
Max. Tc (°C):	90
Dimming secondary side:	AM
Fuse B10 (pcs):	100
Fuse B16 (pcs):	160
Fuse C10 (pcs):	100
Fuse C16 (pcs):	160

## COLOR AND MATERIAL

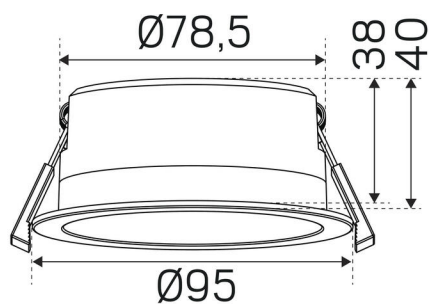
Material:	Aluminium
Color:	Black
Environmental Assessment:	Byggsvarubedömningen

## MEASUREMENT AND INSTALLATION

<b>Operating Environment:</b>	Indoor / bathroom (ceiling area 1), Outdoor
<b>IP Degree of Protection:</b>	44
<b>Protection Class:</b>	II
<b>Installation:</b>	Built-in
<b>Mounting Installation:</b>	Mounting Spring
<b>Ceiling Thickness Interval (mm):</b>	3-26mm
<b>Fire Safety Marks:</b>	Approved for installation against insulation
<b>Protection Cover:</b>	7466700, 7466701, 7466702
<b>Approval Marks:</b>	CE, SELV
<b>Filament Test IEC 695-2-1(°C):</b>	650
<b>Height (mm):</b>	40
<b>Diameter (mm):</b>	95
<b>Weight (kg):</b>	0,23
<b>Min. Built-in (mm):</b>	180x150x28
<b>Height Recessed Part (mm):</b>	38
<b>Height Exterior Part (mm):</b>	2
<b>Built-in Ø (mm):</b>	80-85mm



(mm)



(mm)

