



ECHO S 215 WHITE

Instead of replacing with cover rings, choose a complete luminaire in the size you need. Echo is a large product family for holes from 103-300mm. Dimmable all-round luminaire for public environments that need a lot of light, such as in rooms with high ceilings, corridors or shops. Perfect for new installations and to replace compact fluorescent tube luminaires. Selectable colour temperature via DIP switch. Echo M and Echo L have adjustable lumen output via DIP-switch. Comes complete with driver for phase dimming or DALI-2. DALI-2 comes with Q-box Micro, push-in terminals and screwless strain relief. Dimmable with most common dimmers on the market.

DESCRIPTION

GTIN:	7392971148199
Item Name:	Echo S 215 White
Warranty:	5 years

LIGHT TECHNICAL DATA

Max. Luminaire Lumen (lm):	1150
Light Source:	LED
Replaceability:	Replaceable LED by professional, Replaceable Control gear by professional
LED Colour:	White
Colour Temperature (K):	3000, 4000, 5700
Colour Rendering Index (Ra):	>80
Colour Consistency (SDCM):	3
Luminous Intensity (cd):	720
Beam Angle (°):	80
Light sharing:	Symmetric
Light Outlet:	Direct
Number of Lamps (pcs):	1
Number of LED (pcs):	96
Life Time:	h Ta °C
Nominal Life Time (h):	50000
Lumen maintenance 50 000h:	L81
Lumen maintenance 75 000h:	L73
LLMF @ 50 000h:	0.81
Life Time Driver:	50 000h/10%
Flicker (PstLM):	0,003
Stroboscopic effect (SVM):	0,004

TECHNICAL DATA

Voltage (type):	AC
Voltage Interval (V):	220...240V
Voltage Nominal (V):	230
Line Frequency (Hz):	50, 60
Power LED (W):	12
Max. Power Luminaire (W):	14
Max. System Power (W):	14
Max. Efficiency Luminaire (lm/W):	82,1
Max. Efficiency System (lm/W):	82,1

Containing light source energy efficiency class (EU) 2019/2015: E

OPERATION AND CONNECTION

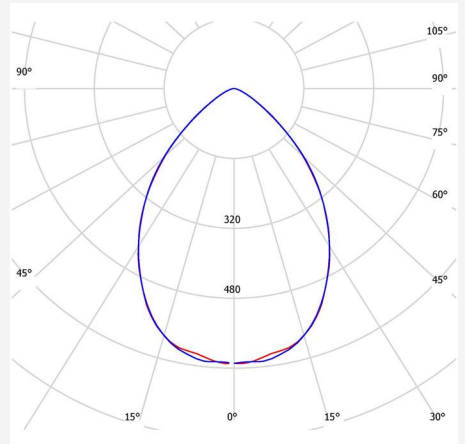
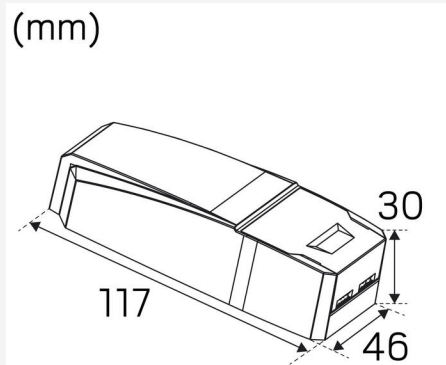
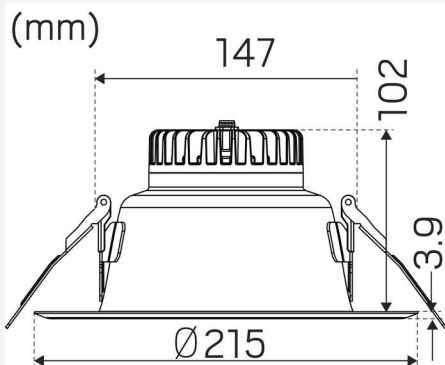
Dimmable:	Yes
Type of Dimming:	Trailing Edge, Leading Edge
Driver Included:	Yes
Driver Model:	Constant Current
Driver Type:	Stand Alone
Driver Manufacturer:	Hide-a-lite
Connection (type):	Quick Terminal
Connection (mm ²):	3x0,5-2,5
Through Wiring:	Yes
Strain Relief:	Yes
Power Factor λ :	0,9
Efficiency (%):	83
Power loss (W):	2,5
Leakage current (mA) (at 230 V, 50 Hz, full load):	0,5
Constant Current (mA):	350
Min. Ta (°C):	-20
Max. Ta (°C):	40
Max. Tc (°C):	85
Dimming secondary side:	AM
Suitable for random switching:	Yes
Inrush current (max/time):	2,88A 102 μ s
Mains surge protection DM (kV):	0,5
Mains surge protection CM (kV):	1
Fuse B10 (pcs):	40
Fuse B16 (pcs):	64
Fuse C10 (pcs):	68
Fuse C16 (pcs):	108

COLOR AND MATERIAL

Material:	Aluminium
Color:	White
Environmental Assessment:	Byggvarubedömningen
Available in special color:	Yes

MEASUREMENT AND INSTALLATION

Operating Environment:	Indoor / wet locations, Outdoor
IP Degree of Protection:	44
Protection Class:	II
Installation:	Built-in
Mounting Installation:	Mounting Spring
Ceiling Thickness Interval (mm):	5-40mm
Fire Safety Marks:	Not in insulation without protection cover
Approval Marks:	CE, a Hide-a-lite Choice
Filament Test IEC 695-2-1(°C):	650
Height (mm):	84
Diameter (mm):	215
Weight (kg):	0,81
Height Recessed Part (mm):	102
Height Exterior Part (mm):	4
Built-in Ø (mm):	150-200mm





hideolite
choice

We focus on sustainability using recycled material for creating innovative luminaires,
as well as replaceable LEDs and drivers.

Luminaires built for the future!

