



ECHO L 320 WHITE

Flexible luminaire with reflector technology and a high-positioned light source for very good anti-glare properties. All-round luminaire for public environments where more light is needed, e.g. rooms with high ceilings. For new installations or replacement of old compact fluorescent lamp fixtures for a much more energy-efficient installation. Adjustable lumen output and selectable colour temperature via DIP switch, 3000K, 4000K and 5700K. Complete with driver for phase dimming or DALI 2, with push-in terminals and screwless strain relief. Cover ring available as an accessory. Can be supplied with Q-Box Mini or Linect.

DESCRIPTION

GTIN:	7392971148298
Item Name:	Echo L 320 White
Warranty:	5 years

LIGHT TECHNICAL DATA

Max. Luminaire Lumen (lm):	3160
Light Source:	LED
Replaceability:	Replaceable LED by professional, Replaceable Control gear by professional
LED Colour:	White
Colour Temperature (K):	3000, 4000, 5700
Colour Rendering Index (Ra):	>80
Colour Consistency (SDCM):	3
Luminous Intensity (cd):	1720
Beam Angle (°):	90
Light sharing:	Symmetric
Light Outlet:	Direct
Number of Lamps (pcs):	1
Number of LED (pcs):	192
Life Time:	h Ta °C
Nominal Life Time (h):	50000
Lumen maintenance 50 000h:	L81
Lumen maintenance 75 000h:	L73
LLMF @ 50 000h:	0.81
Life Time Driver:	50 000h/10%
Flicker (PstLM):	0,008
Stroboscopic effect (SVM):	0,332

TECHNICAL DATA

Voltage (type):	AC
Voltage Interval (V):	220...240V
Voltage Nominal (V):	230
Line Frequency (Hz):	50, 60
Power LED (W):	26
Max. Power Luminaire (W):	30
Max. System Power (W):	30
Max. Efficiency Luminaire (lm/W):	105,3
Max. Efficiency System (lm/W):	105,3

Containing light source energy efficiency class (EU) 2019/2015: E

OPERATION AND CONNECTION

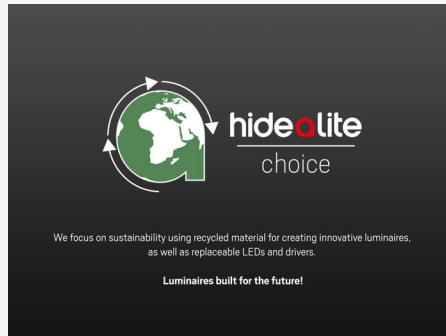
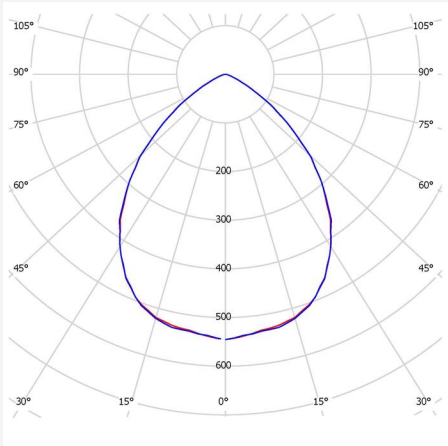
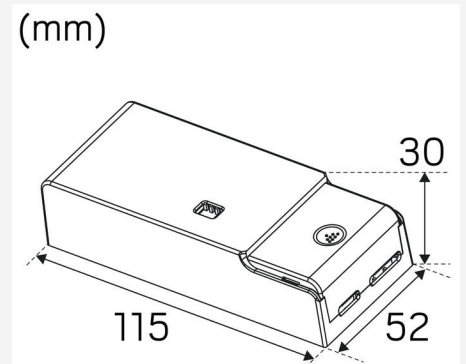
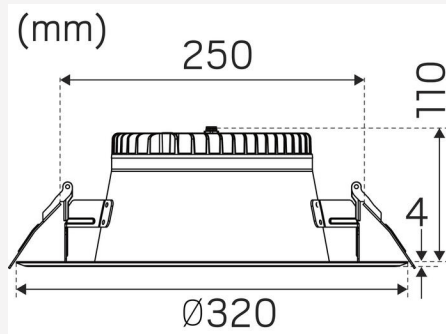
Dimmable:	Yes
Type of Dimming:	DIP-Switch Power, Trailing Edge, Leading Edge
Driver Included:	Yes
Driver Model:	Constant Current
Driver Type:	Stand Alone
Driver Manufacturer:	Hide-a-lite
Connection (type):	Quick Terminal
Connection (mm ²):	4x0,5-2,5
Through Wiring:	Yes
Strain Relief:	Yes
Power Factor λ :	0,9
Efficiency (%):	83
Power loss (W):	5
Leakage current (mA) (at 230 V, 50 Hz, full load):	0,5
Constant Current (mA):	600, 700, 800
Min. Ta (°C):	-20
Max. Ta (°C):	40
Max. Tc (°C):	85
Dimming secondary side:	AM
Suitable for random switching:	Yes
Inrush current (max/time):	3,66A 70 μ s
Mains surge protection DM (kV):	1
Mains surge protection CM (kV):	2
Fuse B10 (pcs):	17
Fuse B16 (pcs):	27
Fuse C10 (pcs):	29
Fuse C16 (pcs):	46

COLOR AND MATERIAL

Material:	Aluminium
Color:	White
Environmental Assessment:	Byggvarubedömningen
Available in special color:	Yes

MEASUREMENT AND INSTALLATION

Operating Environment:	Indoor / wet locations, Outdoor
IP Degree of Protection:	44
Protection Class:	II
Installation:	Built-in
Mounting Installation:	Mounting Spring
Ceiling Thickness Interval (mm):	5-40mm
Fire Safety Marks:	Not in insulation without protection cover
Approval Marks:	CE, a Hide-a-lite Choice
Filament Test IEC 695-2-1(°C):	650
Height (mm):	109
Diameter (mm):	320
Weight (kg):	1,38
Height Recessed Part (mm):	110
Height Exterior Part (mm):	4
Built-in Ø (mm):	250-300mm



Echo L Fdim - DIP DIM

mA	Effekt	3000K	4000K	5700K
800mA	32W	2990 lm	3160 lm	3070 lm
700mA	28W	2670 lm	2820 lm	2740 lm
600mA	24W	2310 lm	2400 lm	2340 lm

