



SPOT LINE 500 4000K

Narrow beam wall-washer for public environments. with a lumen output that reaches high heights – up to 25m. Perfect for all illuminating high facades, signs and industrial properties; create attractive effects and light environments where a wall washing light is desired. IP65 design with anodised and powder-coated housing for rough outdoor climate, comes in matt silver grey. This luminaire has a fixing bracket that can be angled 170°. Comes complete with integrated driver for direct 230V connection and a 2m rubber cable.

DESCRIPTION

GTIN:	7392971141633
Item Name:	Spot Line 500 4000K
Warranty:	5 years

LIGHT TECHNICAL DATA

Max. Luminaire Lumen (lm):	1210
Light Source:	LED
Light Source Included:	Yes
Replaceability:	Non-replaceable LED, Non-replaceable Control gear
LED Colour:	White
Colour Temperature (K):	4000
Colour Rendering Index (Ra):	>80
Colour Consistency (SDCM):	3
Luminous Intensity (cd):	6000
Beam Angle (°):	20
Light sharing:	Symmetric
Light Outlet:	Direct, Narrow Beam
Number of Lamps (pcs):	12
Number of LED (pcs):	12
Life Time:	h Ta °C
Nominal Life Time (h):	50000
Lumen maintenance 50 000h:	L77
LLMF @ 50 000h:	0.77
Life Time Driver:	50 000h/10%

TECHNICAL DATA

Adjustable:	Yes
Tilttable (°):	170
Voltage (type):	AC
Voltage Interval (V):	220...240V
Voltage Nominal (V):	230
Line Frequency (Hz):	50, 60
Power LED (W):	10,8
Max. Power Luminaire (W):	12
Max. System Power (W):	12
Max. Efficiency Luminaire (lm/W):	101
Max. Efficiency System (lm/W):	101

OPERATION AND CONNECTION

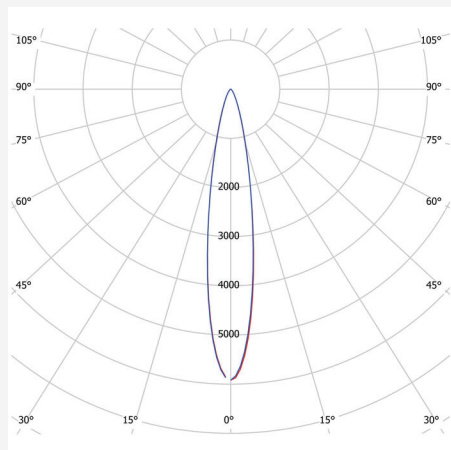
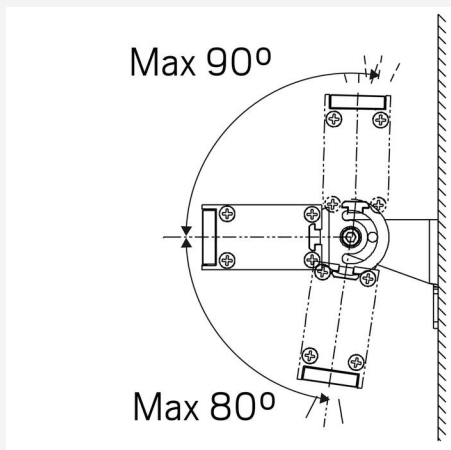
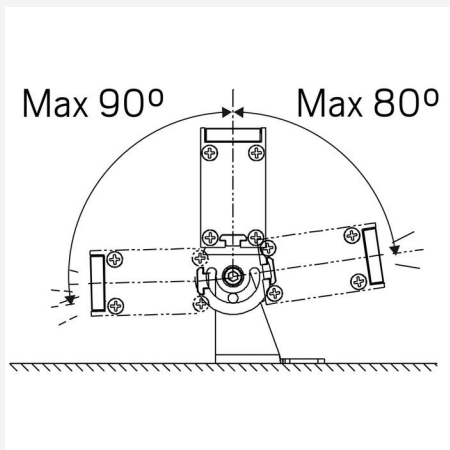
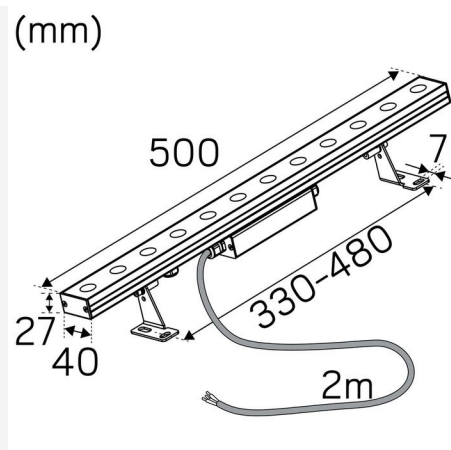
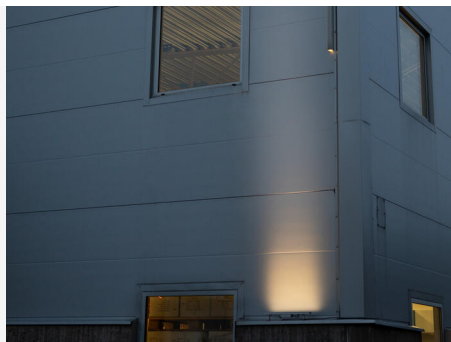
Dimmable:	No
Type of Dimming:	OnOff
Driver Included:	Yes
Driver Model:	Constant Current
Driver Type:	Built-in
Connection (type):	Cable, Open Cable End
Length Connection (cm):	200
Connection (mm ²):	3x0,75
Strain Relief:	Yes
Power Factor λ :	0,9
Power loss (W):	1,2
Leakage current (mA) (at 230 V, 50 Hz, full load):	0,5
Constant Current (mA):	300
Min. Ta (°C):	-20
Max. Ta (°C):	40
Max. Tc (°C):	85
Inrush current (max/time):	2A 50 μ s
Mains surge protection DM (kV):	1
Mains surge protection CM (kV):	2
Fuse B10 (pcs):	86
Fuse B16 (pcs):	138
Fuse C10 (pcs):	86
Fuse C16 (pcs):	138

COLOR AND MATERIAL

Material:	Aluminium
Color:	Silver

MEASUREMENT AND INSTALLATION

Operating Environment:	Indoor / wet locations, Outdoor
IP Degree of Protection:	65
Protection Class:	I
Installation:	Surface mounted
Mounting Installation:	Screw Mounting
Approval Marks:	CE
Impact Strength:	IK08
Length (mm):	500
Width (mm):	40
Height (mm):	74
Weight (kg):	1,3



20°		
m	∅ (m)	Lux Emed/Emax
25m	9.0	5/9
20m	7.2	7/15
15m	5.40	13/26
10m	3.6	28/59
5m	1.8	114/236

6000cd

