



## SPOT IT S ALU 3000K

Compact phase dimmable floodlight with modern LED technology and a lean, stylish design. Adjust the amount of light as needed and easily let the amount of light grow in step with your garden. Illuminate trees, bushes, patios and facades, creating attractive effects. IP67-rated luminaire housing of cast aluminium, corrosion-treated and powder coated. Installed with bracket or accompanying ground spike. Comes complete with integrated phase dimmable driver and 2m rubber cable. Dimmable with most common dimmers on the market.

### DESCRIPTION

<b>GTIN:</b>	7392971141589
<b>Item Name:</b>	Spot It S Alu 3000K
<b>Warranty:</b>	5 years

### LIGHT TECHNICAL DATA

<b>Max. Luminaire Lumen (lm):</b>	400
<b>Light Source:</b>	LED
<b>Replaceability:</b>	Non-replaceable LED, Non-replaceable Control gear
<b>LED Colour:</b>	Warm White
<b>Colour Temperature (K):</b>	3000
<b>Colour Rendering Index (Ra):</b>	>80
<b>Colour Consistency (SDCM):</b>	3
<b>Luminous Intensity (cd):</b>	800
<b>Beam Angle (°):</b>	38
<b>Light sharing:</b>	Symmetric
<b>Light Outlet:</b>	Direct
<b>Number of Lamps (pcs):</b>	1
<b>Number of LED (pcs):</b>	1
<b>Life Time:</b>	h Ta °C
<b>Nominal Life Time (h):</b>	50000
<b>Lumen maintenance 50 000h:</b>	L91
<b>Lumen maintenance 75 000h:</b>	L87
<b>Lumen maintenance 100 000h:</b>	L83
<b>LLMF @ 50 000h:</b>	0.91
<b>LLMF @ 100 000h:</b>	0.83
<b>Life Time Driver:</b>	50 000h/5%
<b>Flicker (PstLM):</b>	0,014

## TECHNICAL DATA

Adjustable:	Yes
Tiltable (°):	180
Rotatable (°):	360
Voltage (type):	AC
Voltage Interval (V):	220...240V
Voltage Nominal (V):	230
Line Frequency (Hz):	50, 60
Power LED (W):	4,1
Max. Power Luminaire (W):	5,5
Max. System Power (W):	5,5
Max. Efficiency Luminaire (lm/W):	72,7
Max. Efficiency System (lm/W):	72,7
Containing light source energy efficiency class (EU) 2019/2015: E	
Eprel registration number:	869514

## OPERATION AND CONNECTION

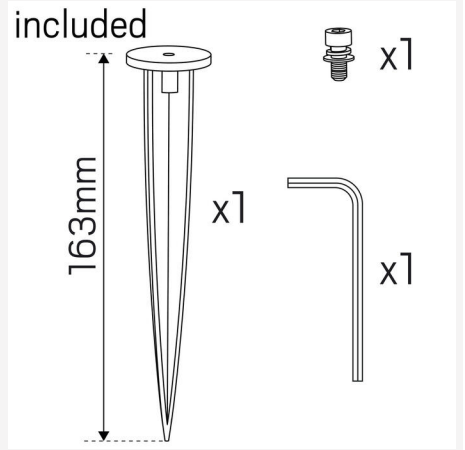
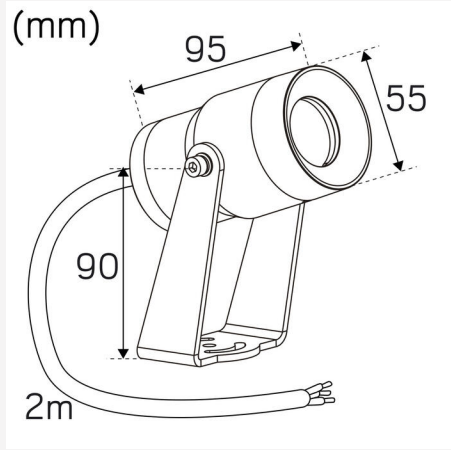
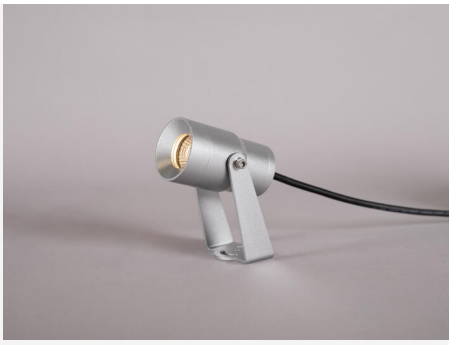
Dimmable:	Yes
Type of Dimming:	Trailing Edge
Driver Included:	Yes
Driver Model:	Constant Current
Driver Type:	Built-in
Driver Manufacturer:	Hide-a-lite
Connection (type):	Cable
Length Connection (cm):	200
Connection (mm <sup>2</sup> ):	3x1,0
Power Factor $\lambda$ :	0,9
Min. Ta (°C):	-20
Max. Ta (°C):	40
Max. Tc (°C):	60
Dimming secondary side:	AM
Fuse B10 (pcs):	75
Fuse B16 (pcs):	100
Fuse C10 (pcs):	75
Fuse C16 (pcs):	100

## COLOR AND MATERIAL

Material:	Aluminium
Color:	Silver
Environmental Assessment:	Byggvarubedömningen

## MEASUREMENT AND INSTALLATION

Operating Environment:	Outdoor
IP Degree of Protection:	67
Protection Class:	I
Installation:	Ground, Surface mounted
Mounting Installation:	Mounting Leg, Ground Spike
Approval Marks:	CE
Impact Strength:	IK08
Filament Test IEC 695-2-1(°C):	650
Length (mm):	95
Diameter (mm):	55
Weight (kg):	0,65



38°		
m	∅ (m)	Lux Emed/Emax
5m	3.53	10/25
4m	2.82	16/38
3m	2.12	29/68
2m	1.41	64/153
1m	0.70	257/613
710cd		

