



SCOUT G2 XS 4000K ASYM

Robust floodlight in five sizes - perfectly suited for outdoor environments such as warehouse doors or as parking, facade or signage lighting. Scout G2 offers many possibilities, with accessories in various combinations to suit different areas of application. Accessories are supplied with bolts, nuts and screws to permit various combinations. Asymmetric light distribution and high luminous efficacy. Adjustable bracket, fitted with screws. With Scout G2 XS, you can easily change the output with DIP-Switch Power. Comes complete with integrated and replaceable driver and 2m rubber cable for direct 230V connection.

DESCRIPTION

GTIN:	7392971146089
Item Name:	Scout G2 XS 4000K Asym
Warranty:	5 years

LIGHT TECHNICAL DATA

Max. Luminaire Lumen (lm):	4250
Light Source:	LED
Light Source Included:	Yes
Replaceability:	Non-replaceable LED, Replaceable Control gear by professional
LED Colour:	White
Colour Temperature (K):	4000
Colour Rendering Index (Ra):	>80
Colour Consistency (SDCM):	5
Luminous Intensity (cd):	1360
Beam Angle (°):	150
Light sharing:	Asymmetric
Light Outlet:	Direct
Number of Lamps (pcs):	1
Number of LED (pcs):	48
Life Time:	L70 100000h Ta 25°C
Nominal Life Time (h):	100000
Lumen maintenance 50 000h:	L87
Lumen maintenance 75 000h:	L81
Lumen maintenance 100 000h:	L75
LLMF @ 50 000h:	0.87
LLMF @ 100 000h:	0.75
Life Time Driver:	50 000h/5%
Flicker (PstLM):	0,17

TECHNICAL DATA

Adjustable:	Yes
Tiltable (°):	270
Voltage (type):	AC
Voltage Interval (V):	220...240V
Voltage Nominal (V):	230
Line Frequency (Hz):	50
Power LED (W):	27
Max. Power Luminaire (W):	30
Max. System Power (W):	30
Max. Efficiency Luminaire (lm/W):	141,7
Max. Efficiency System (lm/W):	141,7
Containing light source energy efficiency class (EU) 2019/2015: D	

OPERATION AND CONNECTION

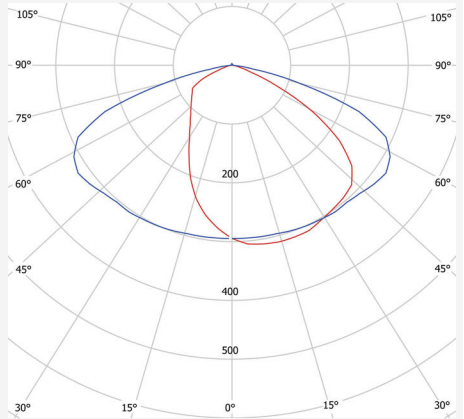
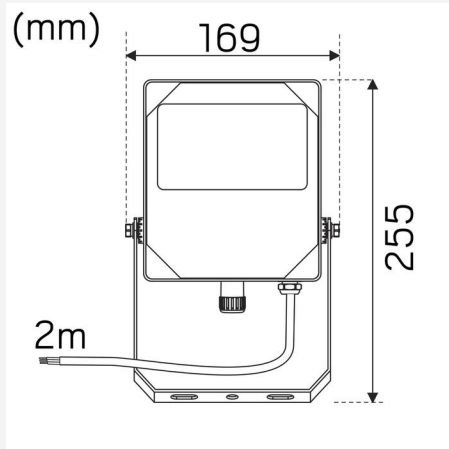
Dimmable:	No
Type of Dimming:	DIP-Switch Power
Driver Included:	Yes
Driver Model:	Constant Voltage
Driver Type:	Built-in
Connection (type):	Cable
Length Connection (cm):	200
Connection (mm ²):	3x1,0
Strain Relief:	Yes
Power Factor λ :	0,9
Efficiency (%):	90
Power loss (W):	3
Leakage current (mA) (at 230 V, 50 Hz, full load):	0,75
THD (%):	25
Constant Current (mA):	870, 370, 430
Min. Ta (°C):	-30
Max. Ta (°C):	50
Max. Tc (°C):	105
Inrush current (max/time):	30A 343 μ s
Mains surge protection DM (kV):	4
Mains surge protection CM (kV):	2
Fuse B10 (pcs):	18
Fuse B16 (pcs):	22
Fuse C10 (pcs):	19
Fuse C16 (pcs):	26

COLOR AND MATERIAL

Material:	Aluminium
Color:	Black
Environmental Assessment:	Byggvarubedömningen
Available in special color:	No

MEASUREMENT AND INSTALLATION

Operating Environment:	Outdoor
IP Degree of Protection:	66
Protection Class:	I
Installation:	Surface mounted
Mounting Installation:	Screw Mounting
Fire Safety Marks:	D-mark
Approval Marks:	CE
Impact Strength:	IK08
Filament Test IEC 695-2-1(°C):	850
Length (mm):	205
Width (mm):	168
Height (mm):	35
Weight (kg):	0,97



SCOUT XS G2		
mA	Watt	4000K
370mA	10W	1500lm
430mA	20W	2950lm
870mA	30W	4250lm

Factory Setting: 4000K | 30W