



PEAK WHITE

Wall luminaire in classic design for big and small facades. Creates a broad light distribution and illuminates both wall and ground. Peak with LED has integrated, exchangeable, phase dimmable driver and selectable colour temperature via DIP-Switch ColourTemp. IP54 and IK08 classification with durable powder coating to withstand our Nordic climate. Separate rear element and push-in, loop-in, loop-out terminal block for direct connection to 230V. Rear element also with integrated spirit level for easier installation. Comes with spacers for surface-mounted cable routing.

DESCRIPTION

GTIN:	7392971139111
Item Name:	Peak White
Warranty:	5 years

LIGHT TECHNICAL DATA

Max. Luminaire Lumen (lm):	830
Light Source:	LED
Light Source Included:	Yes
Replaceability:	Replaceable LED by professional, Replaceable Control gear by professional
LED Colour:	White
Colour Temperature (K):	3000, 4000
Colour Rendering Index (Ra):	>80
Colour Consistency (SDCM):	3
Luminous Intensity (cd):	410
Beam Angle (°):	90
Light sharing:	Symmetric
Light Outlet:	Direct
Number of Lamps (pcs):	1
Number of LED (pcs):	1
Life Time:	h Ta °C
Nominal Life Time (h):	50000
Lumen maintenance 50 000h:	L77
LLMF @ 50 000h:	0.77
Life Time Driver:	50 000h/5%
Flicker (PstLM):	0,84
Stroboscopic effect (SVM):	0,02

TECHNICAL DATA

Voltage (type):	AC
Voltage Interval (V):	220...240V
Voltage Nominal (V):	230
Line Frequency (Hz):	50
Power LED (W):	8,4
Max. Power Luminaire (W):	10,5
Max. System Power (W):	10,5
Max. Efficiency Luminaire (lm/W):	83
Max. Efficiency System (lm/W):	83

Containing light source energy efficiency class (EU) 2019/2015: E

OPERATION AND CONNECTION

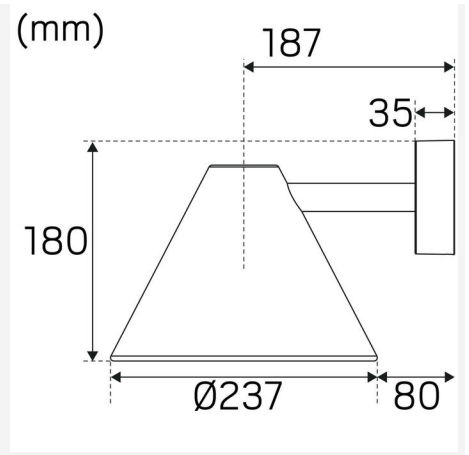
Dimmable:	Yes
Type of Dimming:	Trailing Edge
Driver Included:	Yes
Driver Model:	Constant Current
Driver Type:	Built-in
Connection (type):	Quick Terminal
Connection (mm2):	3x0,5-2,5
Through Wiring:	Yes
Power Factor λ :	0,9
Efficiency (%):	82
Constant Current (mA):	300
Min. Ta (°C):	-20
Max. Ta (°C):	50
Max. Tc (°C):	85
Dimming secondary side:	AM
Protection Against:	Short Circuit, Overheating 100°C, Overload
Fuse B10 (pcs):	60
Fuse B16 (pcs):	90
Fuse C10 (pcs):	70
Fuse C16 (pcs):	110

COLOR AND MATERIAL

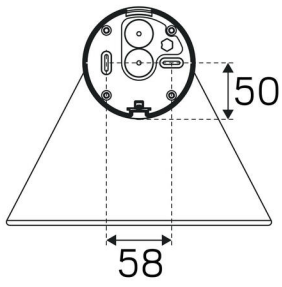
Material:	Metal
Color:	White
Environmental Assessment:	Byggvarubedömningen

MEASUREMENT AND INSTALLATION

Operating Environment:	Indoor / wet locations, Outdoor
IP Degree of Protection:	54
Protection Class:	I
Installation:	Surface mounted
Mounting Installation:	Screw Mounting
Approval Marks:	CE, a Hide-a-lite Choice
Impact Strength:	IK08
Filament Test IEC 695-2-1(°C):	650
Width (mm):	237
Height (mm):	180
Depth (mm):	317
Diameter (mm):	237
Weight (kg):	1,15



(mm)



hideolite
choice

We focus on sustainability using recycled material for creating innovative luminaires, as well as replaceable LEDs and drivers.

Luminaires built for the future!