



SHARP WALL ANTHRACITE

Sharp Wall is a perfect wall luminaire in a sharp design for wall installation. Choose a luminaire with or without asymmetrical light distribution that not only lights walls but also distributes the light in front of the wall, onto an adjacent parking space, for example, or onto the area in front of a length of garages or warehouse entrance. Adjustable lumen output and selectable colour temperature via DIP-switch, direct in the luminaire. Sharp Wall Asym has replaceable LED and driver; the Sharp Wall version only has replaceable driver. Impact resistant (IK10) with durable powder coating to withstand our Nordic climate. Adjustable with its tilttable luminaire head makes it possible to direct the light 0-30°. Accessories include corner brackets and mounting plates for thin sheet metal and light concrete walls. Easily installed thanks to separate rear element and push-in, loop-in, loop-out terminal block for direct connection to 230V. Suitable for surface-mounted cable. Choose Sharp Wall for a wall luminaire that combines robust durability with sharp aesthetics.

DESCRIPTION

GTIN:	7392971145235
Item Name:	Sharp Wall Anthracite
Warranty:	5 years

LIGHT TECHNICAL DATA

Max. Luminaire Lumen (lm):	2950
Light Source:	LED
Light Source Included:	Yes
Replaceability:	Non-replaceable LED, Replaceable Control gear by professional
LED Colour:	Warm White
Colour Temperature (K):	3000, 4000
Colour Rendering Index (Ra):	>80
Colour Consistency (SDCM):	3
Luminous Intensity (cd):	1280
Beam Angle (°):	100
Light sharing:	Symmetric
Light Outlet:	Direct
Number of Lamps (pcs):	1
Number of LED (pcs):	1
Life Time:	h Ta °C
Nominal Life Time (h):	100000
Lumen maintenance 50 000h:	L84
Lumen maintenance 75 000h:	L76
Lumen maintenance 100 000h:	L70
LLMF @ 50 000h:	0.84
LLMF @ 100 000h:	0.7
Life Time Driver:	50 000h/10%
Flicker (PstLM):	0,056
Stroboscopic effect (SVM):	0,012

TECHNICAL DATA

Tiltable (°):	30
Voltage (type):	AC
Voltage Interval (V):	220...240V
Voltage Nominal (V):	230
Line Frequency (Hz):	50, 60
Power LED (W):	27
Max. Power Luminaire (W):	31
Max. System Power (W):	31
Max. Efficiency Luminaire (lm/W):	95
Max. Efficiency System (lm/W):	95
Containing light source energy efficiency class (EU) 2019/2015: E	

OPERATION AND CONNECTION

Dimmable:	No
Type of Dimming:	DIP-Switch Power
Driver Included:	Yes
Driver Model:	Constant Current
Driver Manufacturer:	Hide-a-lite
Connection (type):	Quick Terminal
Connection (mm2):	3x0,5-1,5
Through Wiring:	Yes
Strain Relief:	Yes
Power Factor λ:	0,94
Efficiency (%):	86
Power loss (W):	4,31
Leakage current (mA) (at 230 V, 50 Hz, full load):	0,2
THD (%):	9
Constant Current (mA):	250, 500, 750
Min. Ta (°C):	-20
Max. Ta (°C):	50
Max. Tc (°C):	105
Protection Against:	Short Circuit, Overload
Mains surge protection DM (kV):	1,5
Mains surge protection CM (kV):	1,5
Fuse B10 (pcs):	12
Fuse B16 (pcs):	19
Fuse C10 (pcs):	20
Fuse C16 (pcs):	32

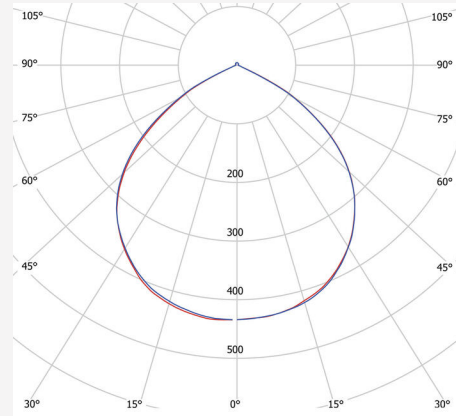
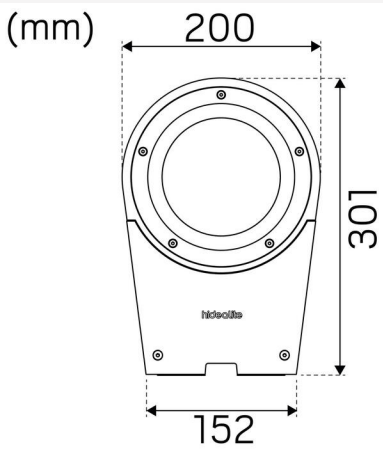
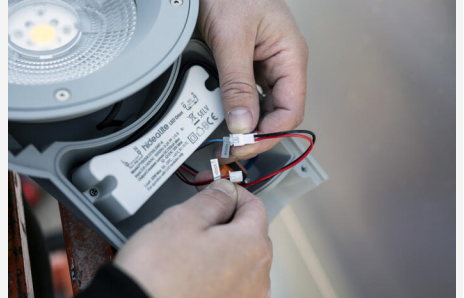
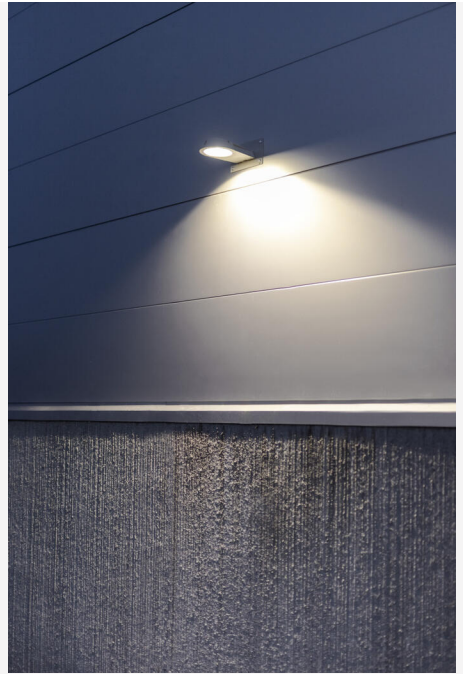
COLOR AND MATERIAL

Material:	Aluminium
Color:	Antracit
Environmental Assessment:	Byggvarubedömningen
SCIP:	03a28031-4381-45c2-95e5-15ae513e5ed3

MEASUREMENT AND INSTALLATION

Operating Environment:	Indoor / dry locations, Outdoor
IP Degree of Protection:	65
Protection Class:	I
Installation:	Wall
Mounting Installation:	Screw Mounting, Mounting Frame
Approval Marks:	CE
Impact Strength:	IK10
Length (mm):	301
Width (mm):	200
Height (mm):	61
Weight (kg):	2,24





DIP SWITCH
POWER

Factory setting:
4000K | 31W

mA	Watt	3000K	4000K
250mA	10,5W	1100lm	1150lm
500mA	21W	1950lm	2000lm
750mA	31W	2900lm	2950lm

