



## PAVE WALL DECO II GREY

Easily installed wall luminaire in the Pave family with stylish design; available with clear or opal glass. Wide light distribution for attractive facade lighting. Plenty of space for easy installation. Choose the appearance and increase anti-glare for your luminaire in combination with Top, Deco II and Deco IV. Number sign available as an accessory for location at entrances (figures 3x 0-9 and letters 3x A-J). Replaceable LED and driver. Selectable lumen output and adjustable colour temperature via DIP-switch. Rear element has dual cable bushings for easy through wiring.

### DESCRIPTION

**GTIN:**

7392971147345

**Item Name:**

Pave Wall Deco II Grey

**Warranty:**

5 years

## LIGHT TECHNICAL DATA

<b>Max. Luminaire Lumen (lm):</b>	1680
<b>Light Source:</b>	LED
<b>Light Source Included:</b>	Yes
<b>Replaceability:</b>	Replaceable LED by professional, Replaceable Control gear by professional
<b>LED Colour:</b>	White
<b>Colour Temperature (K):</b>	3000, 4000
<b>Colour Rendering Index (Ra):</b>	>80
<b>Colour Consistency (SDCM):</b>	3
<b>Luminous Intensity (cd):</b>	730
<b>Beam Angle (°):</b>	95
<b>Light sharing:</b>	Symmetric
<b>Light Outlet:</b>	Indirect
<b>Number of Lamps (pcs):</b>	1
<b>Number of LED (pcs):</b>	77
<b>Life Time:</b>	L80 100000h Ta 25°C
<b>Nominal Life Time (h):</b>	100000
<b>Lumen maintenance 50 000h:</b>	L90
<b>Lumen maintenance 75 000h:</b>	L85
<b>Lumen maintenance 100 000h:</b>	L81
<b>LLMF @ 50 000h:</b>	0.9
<b>LLMF @ 100 000h:</b>	0.81
<b>Life Time Driver:</b>	100 000h/20%
<b>Flicker (PstLM):</b>	0
<b>Stroboscopic effect (SVM):</b>	0

## TECHNICAL DATA

<b>Voltage (type):</b>	AC
<b>Voltage Interval (V):</b>	220...240V
<b>Voltage Nominal (V):</b>	230
<b>Line Frequency (Hz):</b>	50, 60
<b>Power LED (W):</b>	15,5
<b>Max. Power Luminaire (W):</b>	18
<b>Max. System Power (W):</b>	18
<b>Max. Efficiency Luminaire (lm/W):</b>	93,3
<b>Max. Efficiency System (lm/W):</b>	93,3
<b>Containing light source energy efficiency class (EU) 2019/2015:</b>	C
<b>Eprel registration number:</b>	1935457

## OPERATION AND CONNECTION

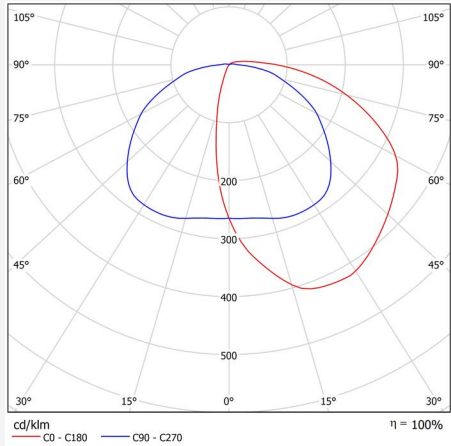
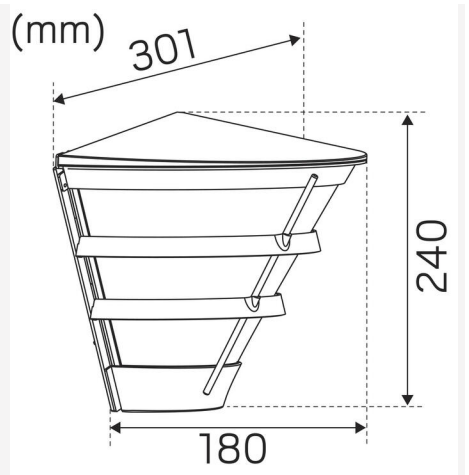

<b>Dimmable:</b>	No
<b>Type of Dimming:</b>	DIP-Switch Power
<b>Driver Included:</b>	Yes - replaceable
<b>Driver Model:</b>	Constant Current
<b>Driver Manufacturer:</b>	Hide-a-lite
<b>Connection (type):</b>	Quick Terminal
<b>Connection (mm<sup>2</sup>):</b>	5x0,5-2,5
<b>Through Wiring:</b>	Yes
<b>Power Factor <math>\lambda</math>:</b>	0,9
<b>Efficiency (%):</b>	93
<b>Power loss (W):</b>	2,9
<b>Leakage current (mA) (at 230 V, 50 Hz, full load):</b>	0,15
<b>THD (%):</b>	30
<b>Constant Current (mA):</b>	90, 165, 430, 500
<b>Min. Ta (°C):</b>	-30
<b>Max. Ta (°C):</b>	40
<b>Max. Tc (°C):</b>	75
<b>Protection Against:</b>	Short Circuit
<b>Inrush current (max/time):</b>	5A 100 $\mu$ s
<b>Mains surge protection DM (kV):</b>	2
<b>Mains surge protection CM (kV):</b>	2
<b>Fuse B10 (pcs):</b>	46
<b>Fuse B16 (pcs):</b>	74
<b>Fuse C10 (pcs):</b>	46
<b>Fuse C16 (pcs):</b>	74

## COLOR AND MATERIAL

<b>Material:</b>	Aluminium, Polycarbonate
<b>Color:</b>	Grey
<b>Environmental Assessment:</b>	Byggvarubedömningen
<b>Available in special color:</b>	Yes

## MEASUREMENT AND INSTALLATION

<b>Operating Environment:</b>	Indoor / dry locations, Outdoor
<b>IP Degree of Protection:</b>	65
<b>Protection Class:</b>	I
<b>Installation:</b>	Wall
<b>Mounting Installation:</b>	Screw Mounting
<b>Approval Marks:</b>	CE, a Hide-a-lite Choice
<b>Impact Strength:</b>	IK10
<b>Filament Test IEC 695-2-1(°C):</b>	650
<b>Width (mm):</b>	301
<b>Height (mm):</b>	240
<b>Depth (mm):</b>	180
<b>Weight (kg):</b>	2,62

hideolite  
choice

We focus on sustainability using recycled material for creating innovative luminaires, as well as replaceable LEDs and drivers.

Luminaires built for the future!

Factory setting: 3000K (10W)		Pure Wall Top		Pure Wall Deco II Pure Wall Top Deco II		Pure Wall Deco IV Pure Wall Top Deco IV	
mA	Watt	3000K	4000K	3000K	4000K	3000K	4000K
90mA	3.5W	310lm	330lm	270lm	290lm	220lm	230lm
165mA	6W	600lm	630lm	510lm	550lm	430lm	450lm
430mA	15W	1580lm	1670lm	1370lm	1450lm	1140lm	1190lm
500mA	18W	1830lm	1940lm	1590lm	1680lm	1320lm	1390lm

Factory setting: 3000K (10W)		Pure Wall Opal Pure Wall Opal Top		Pure Wall Opal Deco II Pure Wall Opal Top Deco II		Pure Wall Opal Deco IV Pure Wall Opal Top Deco IV	
mA	Watt	3000K	4000K	3000K	4000K	3000K	4000K
90mA	3.5W	290lm	310lm	230lm	240lm	190lm	190lm
165mA	6W	560lm	590lm	440lm	470lm	360lm	380lm
430mA	15W	1460lm	1550lm	1155lm	1240lm	950lm	1000lm
500mA	18W	1700lm	1800lm	1360lm	1440lm	1100lm	1160lm

