



## SHARP WALL ASYM 80°X140° ANTHRACITE

Sharp Wall is a perfect wall luminaire in a sharp design for wall installation. Choose a luminaire with or without asymmetrical light distribution that not only lights walls but also distributes the light in front of the wall, onto an adjacent parking space, for example, or onto the area in front of a length of garages or warehouse entrance. Adjustable lumen output and selectable colour temperature via DIP-switch, direct in the luminaire. Sharp Wall Asym has replaceable LED and driver; the Sharp Wall version only has replaceable driver. Impact resistant (IK10) with durable powder coating to withstand our Nordic climate. Adjustable with its tiltable luminaire head makes it possible to direct the light 0-30°. Accessories include corner brackets and mounting plates for thin sheet metal and light concrete walls. Easily installed thanks to separate rear element and push-in, loop-in, loop-out terminal block for direct connection to 230V. Suitable for surface-mounted cable. Choose Sharp Wall for a wall luminaire that combines robust durability with sharp aesthetics.

### DESCRIPTION

<b>GTIN:</b>	7392971150611
<b>Item Name:</b>	Sharp Wall Asym 80°x140° Anthracite
<b>Warranty:</b>	5 years

## LIGHT TECHNICAL DATA

Max. Luminaire Lumen (lm):	3100
Light Source:	LED
Light Source Included:	Yes
Replaceability:	Non-replaceable LED, Replaceable Control gear by professional
LED Colour:	White
Colour Temperature (K):	3000, 4000
Colour Rendering Index (Ra):	>80
Colour Consistency (SDCM):	3
Luminous Intensity (cd):	1330
Beam Angle (°):	140
Light sharing:	Asymmetric
Light Outlet:	Direct
Number of Lamps (pcs):	1
Number of LED (pcs):	12
Life Time:	L70 100000h Ta 25°C
Nominal Life Time (h):	100000
Lumen maintenance 50 000h:	L84
Lumen maintenance 75 000h:	L76
Lumen maintenance 100 000h:	L70
LLMF @ 50 000h:	0.84
LLMF @ 100 000h:	0.7
Life Time Driver:	50 000h/10%
Flicker (PstLM):	0,056
Stroboscopic effect (SVM):	0,012

## TECHNICAL DATA

Adjustable:	Yes
Tilttable (°):	30
Voltage (type):	AC
Voltage Interval (V):	220...240V
Voltage Nominal (V):	230
Line Frequency (Hz):	50, 60
Power LED (W):	27
Max. Power Luminaire (W):	31
Max. System Power (W):	31
Max. Efficiency Luminaire (lm/W):	100
Max. Efficiency System (lm/W):	100
Containing light source energy efficiency class (EU) 2019/2015:	E
Eprel registration number:	2054166

## OPERATION AND CONNECTION

<b>Dimmable:</b>	No
<b>Type of Dimming:</b>	DIP-Switch Power
<b>Driver Included:</b>	Yes
<b>Driver Model:</b>	Constant Current
<b>Driver Manufacturer:</b>	Hide-a-lite
<b>Connection (type):</b>	Quick Terminal
<b>Connection (mm2):</b>	3x0,5-1,5
<b>Through Wiring:</b>	Yes
<b>Strain Relief:</b>	Yes
<b>Power Factor <math>\lambda</math>:</b>	0,94
<b>Efficiency (%):</b>	86
<b>Power loss (W):</b>	4,31
<b>Leakage current (mA) (at 230 V, 50 Hz, full load):</b>	0,2
<b>THD (%):</b>	9
<b>Max. Power (W):</b>	31
<b>Constant Current (mA):</b>	250, 500, 750
<b>Min. Ta (°C):</b>	-20
<b>Max. Ta (°C):</b>	50
<b>Max. Tc (°C):</b>	105
<b>Protection Against:</b>	Short Circuit, Overload
<b>Mains surge protection DM (kV):</b>	1,5
<b>Mains surge protection CM (kV):</b>	1,5
<b>Fuse B10 (pcs):</b>	12
<b>Fuse B16 (pcs):</b>	19
<b>Fuse C10 (pcs):</b>	20
<b>Fuse C16 (pcs):</b>	32

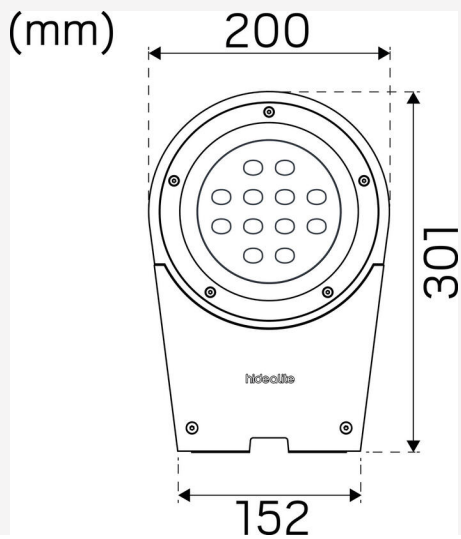
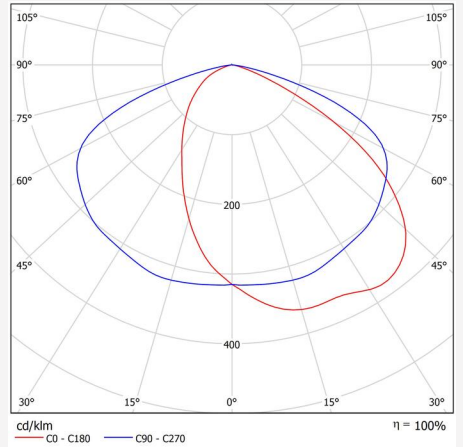
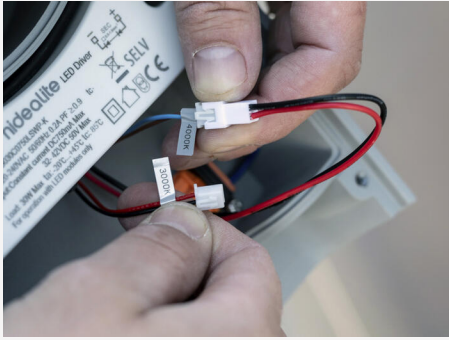
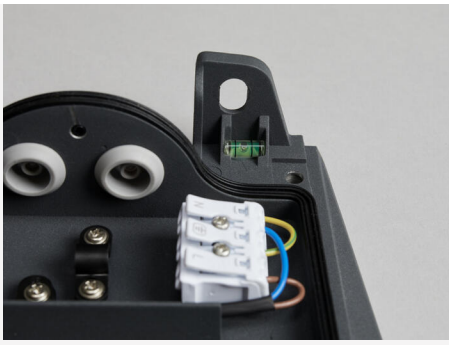
## COLOR AND MATERIAL

<b>Material:</b>	Aluminium
<b>Color:</b>	Antracit
<b>Environmental Assessment:</b>	Byggvarubedömningen
<b>SCIP:</b>	03a28031-4381-45c2-95e5-15ae513e5ed3

## MEASUREMENT AND INSTALLATION

<b>Operating Environment:</b>	Indoor / dry locations, Outdoor
<b>IP Degree of Protection:</b>	65
<b>Protection Class:</b>	I
<b>Installation:</b>	Wall
<b>Mounting Installation:</b>	Screw Mounting, Mounting Frame
<b>Approval Marks:</b>	CE
<b>Impact Strength:</b>	IK10
<b>Length (mm):</b>	301
<b>Width (mm):</b>	200
<b>Height (mm):</b>	61
<b>Weight (kg):</b>	2,24





SHARP WALL ASYM – DIP DIM

mA	Watt	3000K	4000K
250mA	10,5W	1170lm	1180lm
500mA	21W	2180lm	2200lm
750mA	31W	2960lm	3100lm

Factory Setting: 4000K | 31W

hideolite  
choice

We focus on sustainability using recycled material for creating innovative luminaires, as well as replaceable LEDs and drivers.

Luminaires built for the future!