

LEDSTRIP 24V LINE IP20 MIDLUM 4000K 5M

LEDstrip with technology that conceals the LED Chip and electronics under an homogenous phosphorous/silicone layer. Short spacing between the LEDs creates an even illuminated line without profile or cover. COB technology with high lumen output and very good efficiency. Cutting increments of 31,25 mm and seamless joints make it simple to adapt lengths. Comes as standard in rolls of five metres with 2 m connecting cable at each end, 1pc quick connection and self-adhesive tape for easy installation. Upon request, running meters with connection cables are delivered according to your specifications; running meters are delivered as standard without connection cables. Drivers are ordered separately according to required dimmer technology and placing. Maximum length 5m.

DESCRIPTION

GTIN:	7392971139227
Item Name:	LEDstrip 24V Line IP20 MidLum 4000K 5m
Warranty:	5 years

LIGHT TECHNICAL DATA

Max. Luminaire Lumen (lm):	5250
Light Source:	LED
Light Source Included:	Yes
Replaceability:	Non-replaceable LED
LED Colour:	White
Colour Temperature (K):	4000
Colour Rendering Index (Ra):	>90
Colour Consistency (SDCM):	3
Luminous Intensity (cd):	270
Beam Angle (°):	150
Light sharing:	Symmetric
Light Outlet:	Direct
Number of Lamps (pcs):	1
Number of LED (pcs):	2560
LED Pitch (mm):	2
Life Time:	h Ta °C
Nominal Life Time (h):	50000
Lumen maintenance 50 000h:	L70
LLMF @ 50 000h:	0.7

TECHNICAL DATA

Voltage (type):	DC
Voltage Interval (V):	24...24V
Voltage Nominal (V):	24
Voltage Forward (Vf):	3,2
Max. Power Luminaire (W):	50
Max. System Power (W):	55
Max. Efficiency Luminaire (lm/W):	105
Max. Efficiency System (lm/W):	95
Energy Efficiency Class (EU) 2019/2015:	E

OPERATION AND CONNECTION

Dimmable:	Yes
Driver Included:	No
Driver Model:	Constant Voltage
Connection (type):	Open Cable End
Length Connection (cm):	200
Connection (mm ²):	2x0,75
Min. Ta (°C):	-25
Max. Ta (°C):	45
Max. Tc (°C):	65

COLOR AND MATERIAL

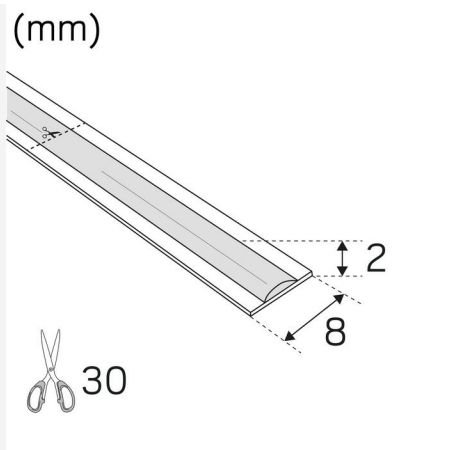
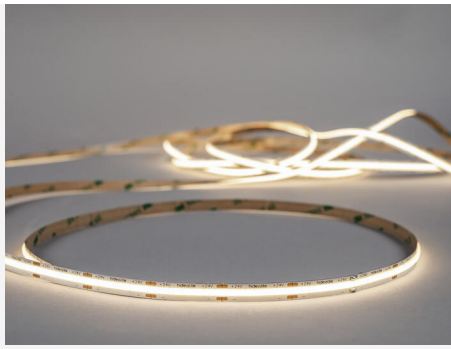
Material:	Copper
Color:	White
Environmental Assessment:	Byggsvarubedömningen

MEASUREMENT AND INSTALLATION

Operating Environment:	Indoor / dry locations
IP Degree of Protection:	20
Protection Class:	III
Installation:	Surface mounted
Mounting Installation:	Self Adhesive Tape
Approval Marks:	CE
Filament Test IEC 695-2-1(°C):	650
Requires cooling:	No
Length (mm):	5000
Width (mm):	8
Height (mm):	2
Weight (kg):	0,16

LEDSTRIPS

Min. Bend Radius (mm):	10
Min. Length (m):	0,031
Max. Length (m):	5
Cutting Increments (mm):	31,25



Hide-a-lite

7506519



50
kWh/1000h

