



## LEDSTRIP 24V LINE IP67 OPAL MIDLUM 4000K LPM

LEDstrip with encapsulated opal coloured casing in silicone, which creates an evenly lit line with noout profile or cover. COB technology with small gaps between diodes for very good efficiency. Short cutting increments of 30mm and seamless joints make it simple to create custom lengths. Comes as standard in rolls of five metres with 2 m connecting cable at each end, 2pcs end connections, self-adhesive tape for easy installation. Upon request, running meters with connection cables are delivered according to your specifications; running meters are delivered as standard without connection cables. Drivers are ordered separately according to desired dimmer technology and placing. Maximum length 5m.

### DESCRIPTION

<b>GTIN:</b>	7392971140094
<b>Item Name:</b>	LEDstrip 24V Line IP67 Opal MidLum 4000K lpm
<b>Warranty:</b>	5 years

### LIGHT TECHNICAL DATA

<b>Max. Luminaire Lumen (lm):</b>	900
<b>Light Source:</b>	LED
<b>Light Source Included:</b>	Yes
<b>Replaceability:</b>	Non-replaceable LED
<b>LED Colour:</b>	White
<b>Colour Temperature (K):</b>	4000
<b>Colour Rendering Index (Ra):</b>	>90
<b>Colour Consistency (SDCM):</b>	3
<b>Luminous Intensity (cd):</b>	215
<b>Beam Angle (°):</b>	130
<b>Light sharing:</b>	Symmetric
<b>Light Outlet:</b>	Direct
<b>Number of Lamps (pcs):</b>	1
<b>Number of LED (pcs):</b>	512
<b>LED Pitch (mm):</b>	2
<b>Life Time:</b>	h Ta °C
<b>Nominal Life Time (h):</b>	50000
<b>Lumen maintenance 50 000h:</b>	L71
<b>LLMF @ 50 000h:</b>	0.71

## TECHNICAL DATA

Voltage (type):	DC
Voltage Interval (V):	24...24V
Voltage Nominal (V):	24
Voltage Forward (Vf):	3,2
Max. Power Luminaire (W):	10
Max. System Power (W):	11
Max. Efficiency Luminaire (lm/W):	90
Max. Efficiency System (lm/W):	82
Energy Efficiency Class (EU) 2019/2015:	F

## OPERATION AND CONNECTION

Dimmable:	Yes
Driver Included:	No
Driver Model:	Constant Voltage
Min. Ta (°C):	-25
Max. Ta (°C):	45
Max. Tc (°C):	65

## COLOR AND MATERIAL

Material:	Copper, Silicone
Color:	White

## MEASUREMENT AND INSTALLATION

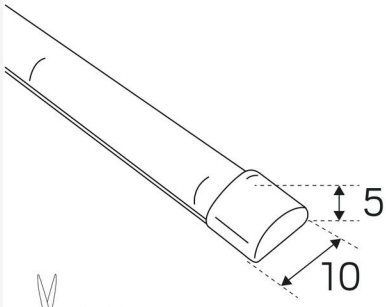
Operating Environment:	Indoor / bathroom (ceiling area 1), Outdoor
IP Degree of Protection:	67
Protection Class:	III
Installation:	Surface mounted
Mounting Installation:	Self Adhesive Tape
Approval Marks:	CE
Filament Test IEC 695-2-1(°C):	650
Requires cooling:	No
Length (mm):	1000
Width (mm):	10
Height (mm):	5
Weight (kg):	0,096

## LEDSTRIPS

Min. Bend Radius (mm):	50
Min. Length (m):	0,33
Max. Length (m):	5
Cutting Increments (mm):	31,25

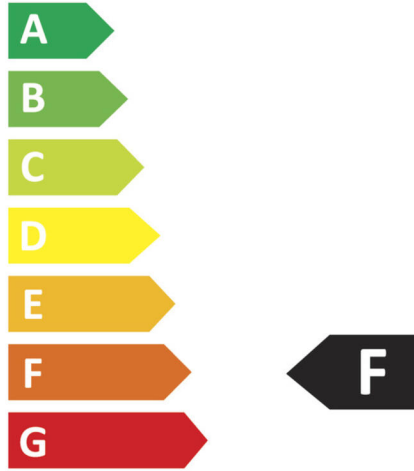


(mm)



**Hide-a-lite**

7506957



**10**  
kWh/1000h



2019/2015