



LEDSTRIP 24V IP20 TW LPM

Let your imagination flow with LEDstrip 24V, which comes in TW, RGB and RGBW versions. LEDstrips can be adapted for any occasion: a party, a cosy night in or work. Create a gentle, relaxing atmosphere with soft pastel colours or light up the room with lively and energetic nuances. Comes as standard in rolls of five metres with two metre connecting cable at each end, a quick connection and self-adhesive tape for easy installation. Five metre packs contain products to enable you to create three different lengths to suit your needs. LEDstrip is also available made to measure in optional lengths. Upon request, running meters with connection cables are delivered according to your specifications; running meters are delivered as standard without connection cables. Drivers are ordered separately according to required dimmer technology, control and placing.

DESCRIPTION

GTIN:	7392971150130
Item Name:	LEDstrip 24V IP20 TW lpm
Warranty:	5 years

LIGHT TECHNICAL DATA

Max. Luminaire Lumen (lm):	1700
Light Source:	LED
Light Source Included:	Yes
Replaceability:	Non-replaceable LED
LED Colour:	TW
Range Colour Temperature (K):	2400-6000
Colour Rendering Index (Ra):	>90
Colour Consistency (SDCM):	3
Luminous Intensity (cd):	525
Beam Angle (°):	120
Light sharing:	Symmetric
Light Outlet:	Direct
Number of Lamps (pcs):	1
Number of LED (pcs):	120
LED Pitch (mm):	4
Life Time:	L70 50000h Ta 25°C
Nominal Life Time (h):	50000

TECHNICAL DATA

Voltage (type):	DC
Voltage Interval (V):	24...24V
Voltage Nominal (V):	24
Voltage Forward (Vf):	3
Max. Power Luminaire (W):	18,9
Max. System Power (W):	20,79
Max. Efficiency Luminaire (lm/W):	89,9
Max. Efficiency System (lm/W):	81,8
Energy Efficiency Class (EU) 2019/2015:	G
Eprel registration number:	1832903

OPERATION AND CONNECTION

Dimmable:	Yes
Driver Included:	No
Driver Model:	Constant Voltage
Min. Ta (°C):	-20
Max. Ta (°C):	45
Max. Tc (°C):	70

COLOR AND MATERIAL

Material:	Copper
Color:	White

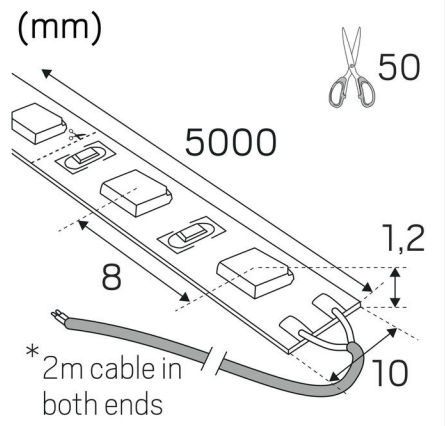
MEASUREMENT AND INSTALLATION

Operating Environment:	Indoor / dry locations
IP Degree of Protection:	20
Protection Class:	III
Installation:	Surface mounted
Mounting Installation:	Self Adhesive Tape
Approval Marks:	CE
Requires cooling:	No
Length (mm):	1000
Width (mm):	10
Height (mm):	2
Weight (kg):	0,02

LEDSTRIPS

Min. Bend Radius (mm):	60
Min. Length (m):	0,05
Max. Length (m):	8
Cutting Increments (mm):	50





Hide-a-lite

LEDstrip 24V TW



5
kWh/1000h

