

## LEDSTRIP 24V IP67 RGBW 5M

Let your imagination flow with LEDstrip 24V, which comes in TW, RGB and RGBW versions, for use indoors or out. LEDstrips can be adapted for any occasion: a party, a cosy night in or work. Create a gentle, relaxing atmosphere with soft pastel colours or light up an outdoor space with lively and energetic nuances. Comes as standard in rolls of five metres with two metre connecting cable at each end, a quick connection and self-adhesive tape for easy installation. Five metre packs contain products to enable you to create three different lengths to suit your needs. LEDstrip is also available made to measure in optional lengths. Upon request, running meters with connection cables are delivered according to your specifications; running meters are delivered as standard without connection cables. Drivers are ordered separately according to required dimmer technology, control and placing.

### DESCRIPTION

<b>GTIN:</b>	7392971150222
<b>Item Name:</b>	LEDstrip 24V IP67 RGBW 5m
<b>Warranty:</b>	5 years

### LIGHT TECHNICAL DATA

<b>Max. Luminaire Lumen (lm):</b>	3050
<b>Light Source:</b>	LED
<b>Light Source Included:</b>	Yes
<b>Replaceability:</b>	Non-replaceable LED
<b>LED Colour:</b>	RGBW
<b>Colour Temperature (K):</b>	3000
<b>Colour Rendering Index (Ra):</b>	>90
<b>Colour Consistency (SDCM):</b>	3
<b>Luminous Intensity (cd):</b>	1025
<b>Beam Angle (°):</b>	120
<b>Light sharing:</b>	Symmetric
<b>Light Outlet:</b>	Direct
<b>Number of Lamps (pcs):</b>	1
<b>Number of LED (pcs):</b>	300
<b>LED Pitch (mm):</b>	8
<b>Life Time:</b>	h Ta °C
<b>Nominal Life Time (h):</b>	50000

## TECHNICAL DATA

Voltage (type):	DC
Voltage Interval (V):	24...24V
Voltage Nominal (V):	24
Voltage Forward (Vf):	3
Max. Power Luminaire (W):	65
Max. System Power (W):	71,5
Max. Efficiency Luminaire (lm/W):	47
Max. Efficiency System (lm/W):	43
Energy Efficiency Class (EU) 2019/2015:	G

## OPERATION AND CONNECTION

Dimmable:	Yes
Driver Included:	No
Driver Model:	Constant Voltage
Connection (type):	Cable
Length Connection (cm):	200
Connection (mm <sup>2</sup> ):	5x0,5
Min. Ta (°C):	-20
Max. Ta (°C):	45
Max. Tc (°C):	70

## COLOR AND MATERIAL

Material:	Copper, Silicone
Color:	White

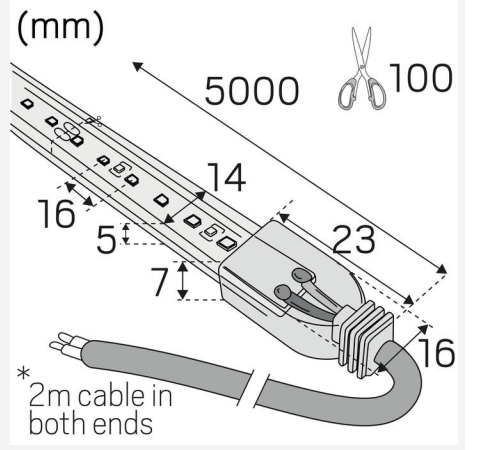
## MEASUREMENT AND INSTALLATION

Operating Environment:	Indoor / bathroom (ceiling area 1), Outdoor
IP Degree of Protection:	67
Protection Class:	III
Installation:	Surface mounted
Mounting Installation:	Self Adhesive Tape
Approval Marks:	CE
Requires cooling:	No
Length (mm):	5000
Width (mm):	14
Height (mm):	5
Weight (kg):	0,65

## LEDSTRIPS

Min. Bend Radius (mm):	60
Min. Length (m):	0,166
Max. Length (m):	6
Cutting Increments (mm):	100





**Hide-a-lite**

LEDstrip 24V RGBW



**2**  
kWh/1000h

