



## LEDSTRIP 24V LINE IP20 LOWLUM 3000K LPM

With LEDstrip 24V Line, you can create ambient lighting, highlight walkways, or accentuate details with a uniform, dot-free light—even without a diffuser cover. It delivers even, shadow-free lighting and fits perfectly into Hide-a-lite's range of aluminium profiles, whether for light lines in handrails, around mirrors, in furniture, or as edge lighting in kitchens and bathrooms. The short cut interval of just 8 mm makes it easy to customise lengths, extending light all the way to the edge of the profile. Available in Lowlum and Midlum, with 2700K or 3000K colour temperature and Ra90 for natural colour rendering. Supplied in 5-metre rolls with 2-metre connection cable at both ends, self-adhesive tape, and accessories for easy installation. Cut-to-length strip is supplied as standard without connection cable. Upon request, it can also be supplied with custom-length connection cable. Maximum length: Low 6m, Mid 5m. Drivers are ordered separately based on desired dimming method and placement. LEDstrip 24V Line is for those who want homogeneous light without shadows—and a result that looks as professional as it is installed.

### DESCRIPTION

<b>GTIN:</b>	7392971153889
<b>Item Name:</b>	LEDstrip 24V Line IP20 Lowlum 3000K lpm
<b>Warranty:</b>	5 years

### LIGHT TECHNICAL DATA

<b>Max. Luminaire Lumen (lm):</b>	510
<b>Light Source:</b>	LED
<b>Light Source Included:</b>	Yes
<b>Replaceability:</b>	Non-replaceable LED
<b>LED Colour:</b>	Warm White
<b>Colour Temperature (K):</b>	3000
<b>Colour Rendering Index (Ra):</b>	>90
<b>Colour Consistency (SDCM):</b>	3
<b>Luminous Intensity (cd):</b>	115
<b>Beam Angle (°):</b>	120
<b>Light Outlet:</b>	Direct
<b>Number of LED (pcs):</b>	480
<b>Life Time:</b>	L70 50000h Ta 25°C
<b>Nominal Life Time (h):</b>	50000
<b>Lumen maintenance 50 000h:</b>	L70
<b>LLMF @ 50 000h:</b>	0.7

## TECHNICAL DATA

Voltage (type):	DC
Voltage Interval (V):	24...24V
Voltage Nominal (V):	24
Voltage Forward (Vf):	3
Power LED (W):	0,04
Max. Power Luminaire (W):	5,3
Max. System Power (W):	5,83
Max. Efficiency Luminaire (lm/W):	96,2
Max. Efficiency System (lm/W):	87,5
Energy Efficiency Class (EU) 2019/2015:	F
Eprel registration number:	2520452

## OPERATION AND CONNECTION

Dimmable:	Yes
Driver Included:	No
Driver Model:	Constant Voltage
Connection (type):	Open Cable End
Length Connection (cm):	200
Connection (mm2):	2x0,75
Min. Ta (°C):	-20
Max. Ta (°C):	40
Max. Tc (°C):	60

## COLOR AND MATERIAL

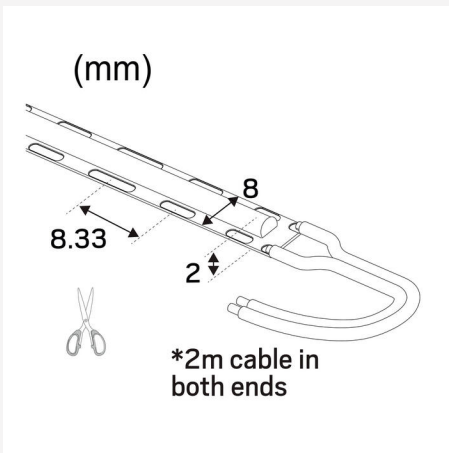
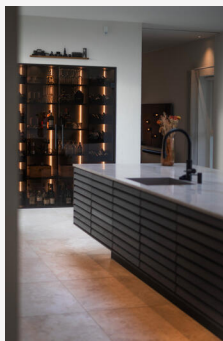
Material:	Copper
Color:	White
Environmental Assessment:	EPD

## MEASUREMENT AND INSTALLATION

IP Degree of Protection:	20
Protection Class:	III
Installation:	Surface mounted
Mounting Installation:	Self Adhesive Tape
Approval Marks:	CE
Filament Test IEC 695-2-1(°C):	650
Requires cooling:	No
Length (mm):	1000
Width (mm):	8
Height (mm):	2
Weight (kg):	0,026

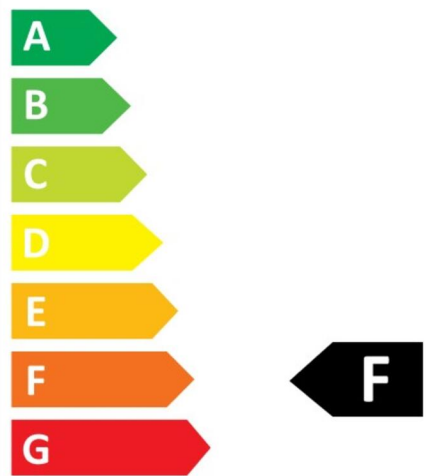
## LEDSTRIPS

Min. Bend Radius (mm):	60
Min. Length (m):	0,008
Max. Length (m):	6
Cutting Increments (mm):	8,33



### Hide-a-lite

LEDstrip 24V Line IP20 LowLum 3000K



**5**  
kWh/1000h



2019/2015