

LEDSTRIP 24V LINE IP67 LOWLUM 2700K LPM

With LEDstrip 24V Line, you can create ambient lighting, highlight walkways, or accentuate details with a uniform, dot-free light—even without a diffuser cover. It delivers even, shadow-free lighting and fits perfectly into Hide-a-lite's range of aluminium profiles, whether for light lines in handrails, around mirrors, in furniture, or as edge lighting in kitchens and bathrooms. Available in Lowlum and Midlum, with 2700K or 3000K colour temperature and Ra90 for natural colour rendering. Supplied in 5-metre rolls with 2-metre connection cable at both ends, self-adhesive tape, and accessories for easy installation. Cut-to-length strip is supplied as standard without connection cable. Upon request, it can also be supplied with custom-length connection cable. Maximum length: Low 8m, Mid 6m. Drivers are ordered separately based on desired dimming method and placement. LEDstrip 24V Line is for those who want homogeneous light without shadows—and a result that looks as professional as it is installed.

DESCRIPTION

GTIN:	7392971153940
Item Name:	LEDstrip 24V Line IP67 Lowlum 2700K lpm
Warranty:	5 years

LIGHT TECHNICAL DATA

Max. Luminaire Lumen (lm):	400
Light Source:	LED
Light Source Included:	Yes
Replaceability:	Non-replaceable LED
LED Colour:	Warm White
Colour Temperature (K):	2700
Colour Rendering Index (Ra):	>90
Colour Consistency (SDCM):	3
Luminous Intensity (cd):	90
Beam Angle (°):	120
Light Outlet:	Direct
Number of LED (pcs):	256
Life Time:	L70 75000h Ta 25°C
Nominal Life Time (h):	75000
Lumen maintenance 50 000h:	L90
Lumen maintenance 75 000h:	L70
LLMF @ 50 000h:	0.9

TECHNICAL DATA

Voltage (type):	DC
Voltage Interval (V):	24...24V
Voltage Nominal (V):	24
Voltage Forward (Vf):	3
Power LED (W):	0,04
Max. Power Luminaire (W):	4,4
Max. System Power (W):	4,84
Max. Efficiency Luminaire (lm/W):	90,9
Max. Efficiency System (lm/W):	82,6
Energy Efficiency Class (EU) 2019/2015:	F
Eprel registration number:	2520463

OPERATION AND CONNECTION

Dimmable:	Yes
Driver Included:	No
Driver Model:	Constant Voltage
Connection (type):	Open Cable End
Length Connection (cm):	200
Connection (mm ²):	2x0,75
Min. Ta (°C):	-20
Max. Ta (°C):	40
Max. Tc (°C):	60

COLOR AND MATERIAL

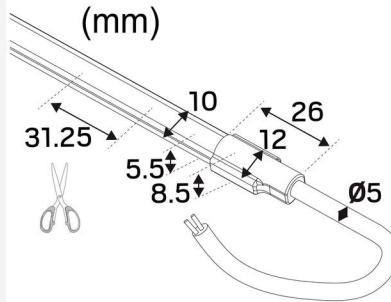
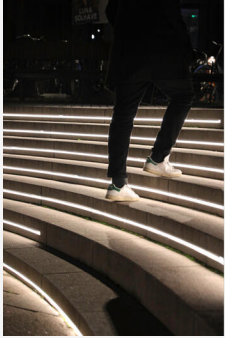
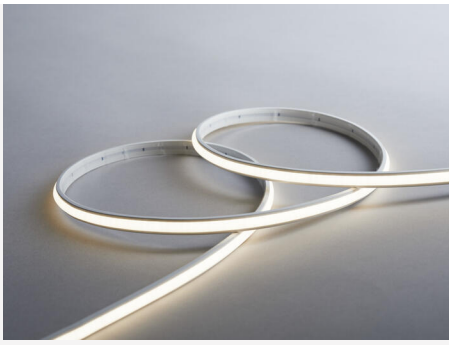
Material:	Copper, Silicone
Color:	White
Environmental Assessment:	EPD, Byggsvarubedömningen

MEASUREMENT AND INSTALLATION

IP Degree of Protection:	67
Protection Class:	III
Installation:	Surface mounted
Mounting Installation:	Self Adhesive Tape
Approval Marks:	CE
Filament Test IEC 695-2-1(°C):	650
Requires cooling:	No
Length (mm):	1000
Width (mm):	10
Height (mm):	5
Weight (kg):	0,056

LEDSTRIPS

Min. Bend Radius (mm):	50
Min. Length (m):	0,031
Max. Length (m):	8
Cutting Increments (mm):	31,25

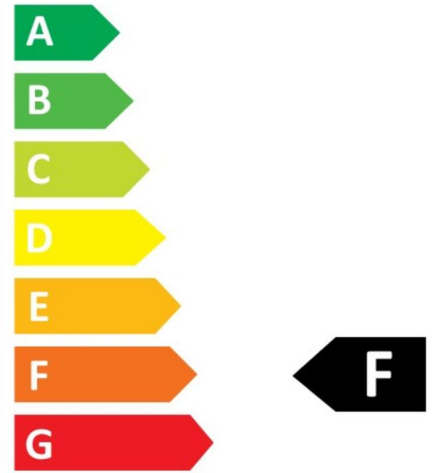


*2m cable in both ends



Hide-a-lite

LEDstrip 24V Line IP67 LowLum 2700K



5
kWh/1000h



2019/2015