



SOLO MAXI G2 BLACK 3000K

Solo Maxi G2 is a large downlight with a wide range of applications areas for indoor and outdoor usage. IP54 rating with clear cover glass. Both for private and public environment where more light is required, e.g. rooms with high ceilings and corridors, shops and outdoor entrance ceilings. Reflector technology with light situated high in the luminaire to give a highly glare-free appearance. Comes complete with drivers IP20 for DALI or On/Off. Can be supplied with Q-Box Mini or Linect. Lumen output can be adjusted via DIP-switch Power.

DESCRIPTION

| | |
|-------------------|--------------------------|
| GTIN: | 7392971135205 |
| Item Name: | Solo Maxi G2 Black 3000K |
| Warranty: | 5 years |

LIGHT TECHNICAL DATA

| | |
|-------------------------------------|---|
| Max. Luminaire Lumen (lm): | 1750 |
| Light Source: | LED |
| Light Source Included: | Yes |
| Replaceability: | Non-replaceable LED, Replaceable Control gear by professional |
| LED Colour: | Warm White |
| Colour Temperature (K): | 3000 |
| Colour Rendering Index (Ra): | >82 |
| Colour Consistency (SDCM): | 3 |
| Luminous Intensity (cd): | 3910 |
| Beam Angle (°): | 34 |
| Light sharing: | Symmetric |
| Light Outlet: | Direct |
| Number of Lamps (pcs): | 1 |
| Number of LED (pcs): | 1 |
| Life Time: | h Ta °C |
| Nominal Life Time (h): | 100000 |
| Lumen maintenance 50 000h: | L92 |
| Lumen maintenance 100 000h: | L87 |
| LLMF @ 50 000h: | 0.92 |
| LLMF @ 100 000h: | 0.87 |
| Life Time Driver: | 50 000h/10% |
| Flicker (PstLM): | 1 |
| Stroboscopic effect (SVM): | 0,4 |

TECHNICAL DATA

| | |
|-----------------------------------|------------|
| Voltage (type): | AC |
| Voltage Interval (V): | 220...240V |
| Voltage Nominal (V): | 230 |
| Line Frequency (Hz): | 50, 60 |
| Power LED (W): | 21 |
| Max. Power Luminaire (W): | 22 |
| Max. System Power (W): | 22 |
| Max. Efficiency Luminaire (lm/W): | 79,5 |
| Max. Efficiency System (lm/W): | 79,5 |

Containing light source energy efficiency class (EU) 2019/2015: C

OPERATION AND CONNECTION

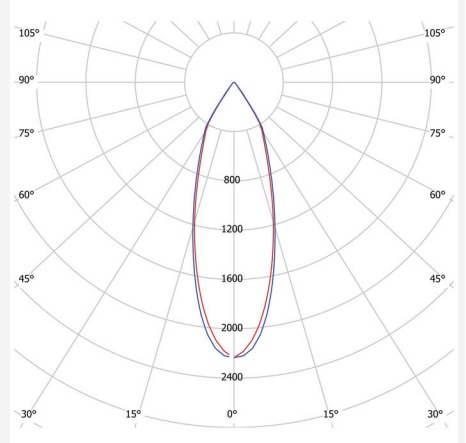
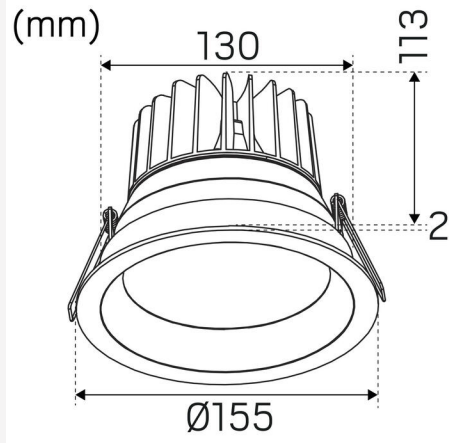
| | |
|---------------------------------|----------------------------------|
| Dimmable: | No |
| Type of Dimming: | OnOff, DIP-Switch Power |
| Driver Included: | Yes |
| Driver Model: | Constant Current |
| Driver Type: | Stand Alone |
| Connection (type): | Cord Set |
| Length Connection (cm): | 250 |
| Connection (mm ²): | 3x0,75 |
| Strain Relief: | Yes |
| Power Factor λ : | 0,9 |
| Constant Current (mA): | 250, 350, 450, 550 |
| Min. Ta (°C): | -25 |
| Max. Ta (°C): | 50 |
| Max. Tc (°C): | 80 |
| Protection Against: | Short Circuit, Overheating 130°C |
| Inrush current (max/time): | 20A 36 μ s |
| Mains surge protection DM (kV): | 1 |
| Mains surge protection CM (kV): | 2 |
| Fuse B10 (pcs): | 40 |
| Fuse B16 (pcs): | 65 |
| Fuse C10 (pcs): | 47 |
| Fuse C16 (pcs): | 75 |

COLOR AND MATERIAL

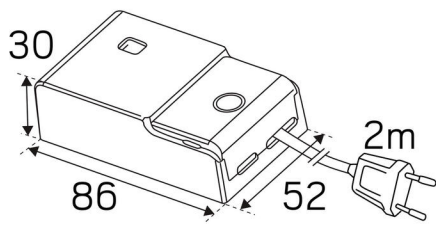
| | |
|---------------------------|---------------------|
| Material: | Aluminium |
| Color: | Black |
| Environmental Assessment: | Byggvarubedömningen |

MEASUREMENT AND INSTALLATION

| | |
|----------------------------------|--|
| Operating Environment: | Indoor / wet locations, Outdoor |
| IP Degree of Protection: | 54 |
| Protection Class: | I |
| Installation: | Built-in |
| Mounting Installation: | Mounting Spring |
| Ceiling Thickness Interval (mm): | 5-45mm |
| Fire Safety Marks: | Not in insulation without protection cover |
| Approval Marks: | CE, SELV |
| Filament Test IEC 695-2-1(°C): | 850 |
| Height (mm): | 115 |
| Diameter (mm): | 155 |
| Weight (kg): | 0,936 |
| Min. Built-in (mm): | 250x250x140 |
| Height Recessed Part (mm): | 112 |
| Height Exterior Part (mm): | 3 |
| Built-in \emptyset (mm): | 130-142mm |



(mm)



Solo Maxi G2 on/off

| mA | 1 | 2 | 3 | Watt | Lumen |
|--------|----|----|---|------|--------|
| 250mA | - | - | - | 10W | 1030lm |
| 350mA | - | ON | - | 14W | 1420lm |
| 450mA* | ON | - | - | 18W | 1750lm |
| 550mA | ON | ON | - | 22W | 2080lm |

* Factory setting

