



OPTIC TRACK XXS 1-PHASE 36° WHITE

Minimalist, dimmable tracklights with replaceable LED and driver – built for the future. Using the DIP-Switch colour temp function, colour temperature is easily adjusted with the touch of a button on the back of the luminaire (not Tune). With reflector technology, high luminous efficacy is ensured with distinct and clear light distribution – perfect as accent lighting when you want to direct the light onto what you want to highlight, but also as general lighting in both private and public environments. Low-build adapter for 1-phase track. For improved glare reduction, the Honeycomb accessory can be added to the luminaire. You can easily replace the reflector with a lens accessory to adjust the light distribution as needed. The kit contains four luminaires, two 1m 1-phase tracks, two connections, two end caps and one straight connector.

DESCRIPTION

GTIN:	7392971151281
Item Name:	Optic Track XXS 1-phase 36° White
Warranty:	5 years

LIGHT TECHNICAL DATA

Max. Luminaire Lumen (lm):	390
Light Source:	LED
Light Source Included:	Yes
Replaceability:	Replaceable LED by professional, Replaceable Control gear by professional
LED Colour:	Warm White
Colour Temperature (K):	2700, 3000
Colour Rendering Index (Ra):	>90
Colour Consistency (SDCM):	3
Luminous Intensity (cd):	1000
Beam Angle (°):	36
Light sharing:	Symmetric
Light Outlet:	Direct
Number of Lamps (pcs):	1
Number of LED (pcs):	1
Life Time:	L80 100000h Ta 25°C
Nominal Life Time (h):	100000
Lumen maintenance 50 000h:	L90
Lumen maintenance 75 000h:	L84
Lumen maintenance 100 000h:	L81
LLMF @ 50 000h:	0.9
LLMF @ 100 000h:	0.81
Life Time Driver:	100 000h/8%
Flicker (PstLM):	0,036
Stroboscopic effect (SVM):	0,176

TECHNICAL DATA

Adjustable:	Yes
Tilttable (°):	90
Rotatable (°):	350
Voltage (type):	AC
Voltage Interval (V):	220...240V
Voltage Nominal (V):	230
Line Frequency (Hz):	50
Power LED (W):	4
Max. Power Luminaire (W):	5,4
Max. System Power (W):	5,4
Max. Efficiency Luminaire (lm/W):	72,2
Max. Efficiency System (lm/W):	72,2
Containing light source energy efficiency class (EU) 2019/2015:	F
Eprel registration number:	2257933

OPERATION AND CONNECTION

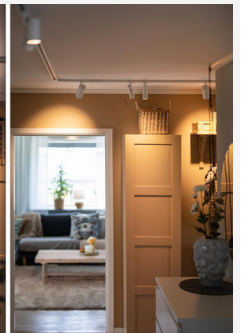
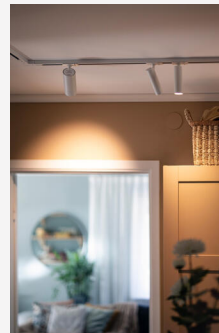
Dimmable:	Yes
Type of Dimming:	Trailing Edge
Driver Included:	Yes - replaceable
Driver Model:	Constant Current
Driver Type:	Built-in
Driver Manufacturer:	Hide-a-lite
Connection (type):	1-phase adapter
Power Factor λ:	0,9
Efficiency (%):	75
Power loss (W):	1,4
Leakage current (mA) (at 230 V, 50 Hz, full load):	0,05
THD (%):	20
Constant Current (mA):	110
Min. Ta (°C):	-20
Max. Ta (°C):	40
Max. Tc (°C):	85
Dimming secondary side:	AM
Protection Against:	Short Circuit, Overheating 120°C, Overload
Inrush current (max/time):	2,8A 42 μ s
Mains surge protection DM (kV):	1
Mains surge protection CM (kV):	2
Fuse B10 (pcs):	80
Fuse B16 (pcs):	130
Fuse C10 (pcs):	135
Fuse C16 (pcs):	215

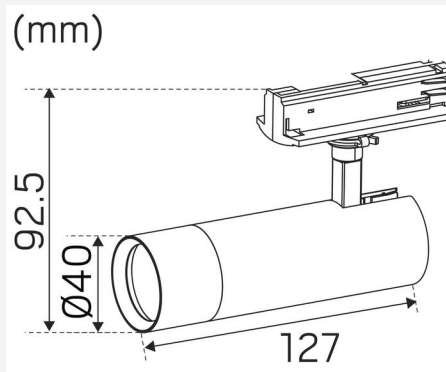
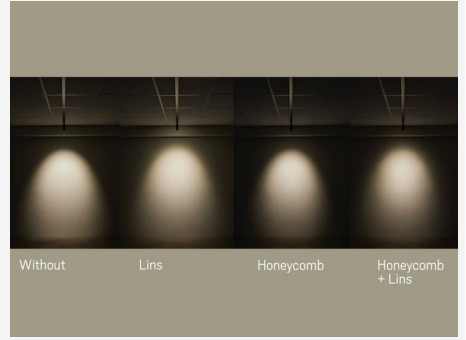
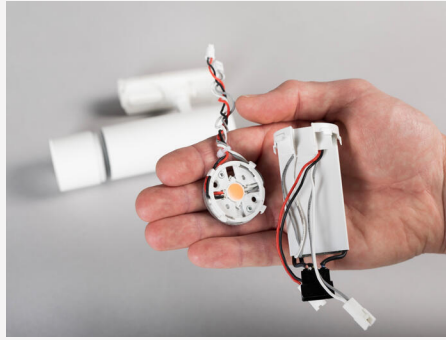
COLOR AND MATERIAL

Material:	Aluminium
Color:	White
Environmental Assessment:	Byggvarubedömningen

MEASUREMENT AND INSTALLATION

Operating Environment:	Indoor / dry locations
IP Degree of Protection:	20
Protection Class:	I
Installation:	Light-track mounting
Mounting Installation:	1-phase Adapter
Approval Marks:	CE, a Hide-a-lite Choice
Filament Test IEC 695-2-1(°C):	650
Length (mm):	127
Height (mm):	93
Diameter (mm):	40
Weight (kg):	0,19





36°		2700K	
m	Ø (m)	Lux Emed/Emax	
1m	0.71	728/965	
2m	1.43	182/241	
3m	2.14	81/107	

960cd

36°

3000K

m	∅ (m)	Lux Emed/Emax
1m	0,68	787/1001
2m	1,36	197/250
3m	2,04	87/111

1000cd



hide a lite
choice

We focus on sustainability using recycled material for creating innovative luminaires, as well as replaceable LEDs and drivers.

Luminaires built for the future!