



## OPTIC TRACK XS 1-PHASE 36° BLACK TUNE

Minimalist, dimmable tracklights with replaceable LED and driver – built for the future. Using the DIP-Switch colour temp function, colour temperature is easily adjusted with the touch of a button on the back of the luminaire (not Tune). With reflector technology, high luminous efficacy is ensured with distinct and clear light distribution – perfect as accent lighting when you want to direct the light onto what you want to highlight, but also as general lighting in both private and public environments. Low-build adapter for 1-phase track. For improved glare reduction, the Honeycomb accessory can be added to the luminaire. You can easily replace the reflector with a lens accessory to adjust the light distribution as needed. The kit contains four luminaires, two 1m 1-phase tracks, two connections, two end caps and one straight connector.

### DESCRIPTION

<b>GTIN:</b>	7392971151359
<b>Item Name:</b>	Optic Track XS 1-phase 36° Black Tune
<b>Warranty:</b>	5 years

## LIGHT TECHNICAL DATA

<b>Max. Luminaire Lumen (lm):</b>	680
<b>Light Source:</b>	LED
<b>Light Source Included:</b>	Yes
<b>Replaceability:</b>	Replaceable LED by professional, Replaceable Control gear by professional
<b>LED Colour:</b>	Warm White
<b>Colour Temperature (K):</b>	3000
<b>Range Colour Temperature (K):</b>	Tune 2000-3000
<b>Colour Rendering Index (Ra):</b>	>95
<b>Colour Consistency (SDCM):</b>	3
<b>Luminous Intensity (cd):</b>	1900
<b>Beam Angle (°):</b>	36
<b>Light sharing:</b>	Symmetric
<b>Light Outlet:</b>	Direct
<b>Number of Lamps (pcs):</b>	1
<b>Number of LED (pcs):</b>	1
<b>Life Time:</b>	h Ta °C
<b>Nominal Life Time (h):</b>	100000
<b>Lumen maintenance 50 000h:</b>	L91
<b>Lumen maintenance 75 000h:</b>	L83
<b>Lumen maintenance 100 000h:</b>	L82
<b>LLMF @ 50 000h:</b>	0.91
<b>LLMF @ 100 000h:</b>	0.82
<b>Life Time Driver:</b>	100 000h/8%
<b>Flicker (PstLM):</b>	0,01
<b>Stroboscopic effect (SVM):</b>	0,01

## TECHNICAL DATA

<b>Adjustable:</b>	Yes
<b>Tilttable (°):</b>	90
<b>Rotatable (°):</b>	350
<b>Voltage (type):</b>	AC
<b>Voltage Interval (V):</b>	220...240V
<b>Voltage Nominal (V):</b>	230
<b>Line Frequency (Hz):</b>	50
<b>Power LED (W):</b>	7,7
<b>Max. Power Luminaire (W):</b>	9,3
<b>Max. System Power (W):</b>	9,3
<b>Max. Efficiency Luminaire (lm/W):</b>	76
<b>Max. Efficiency System (lm/W):</b>	76
<b>Containing light source energy efficiency class (EU) 2019/2015: F</b>	

## OPERATION AND CONNECTION

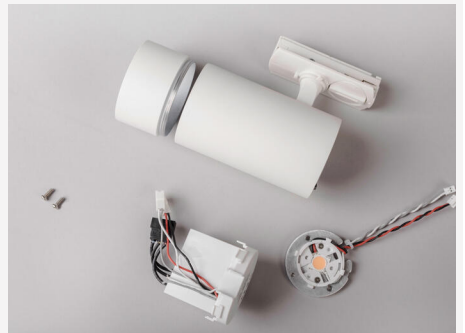
<b>Dimmable:</b>	Yes
<b>Type of Dimming:</b>	Trailing Edge
<b>Driver Included:</b>	Yes - replaceable
<b>Driver Model:</b>	Constant Current
<b>Driver Type:</b>	Built-in
<b>Driver Manufacturer:</b>	Hide-a-lite
<b>Connection (type):</b>	1-phase adapter
<b>Power Factor <math>\lambda</math>:</b>	0,9
<b>Efficiency (%):</b>	83
<b>Power loss (W):</b>	1,6
<b>Leakage current (mA) (at 230 V, 50 Hz, full load):</b>	0,05
<b>THD (%):</b>	16
<b>Constant Current (mA):</b>	220
<b>Min. Ta (°C):</b>	-20
<b>Max. Ta (°C):</b>	40
<b>Max. Tc (°C):</b>	85
<b>Dimming secondary side:</b>	AM
<b>Protection Against:</b>	Short Circuit, Overheating 120°C, Overload
<b>Inrush current (max/time):</b>	3A 42 $\mu$ s
<b>Mains surge protection DM (kV):</b>	1
<b>Mains surge protection CM (kV):</b>	2
<b>Fuse B10 (pcs):</b>	46
<b>Fuse B16 (pcs):</b>	75
<b>Fuse C10 (pcs):</b>	75
<b>Fuse C16 (pcs):</b>	125

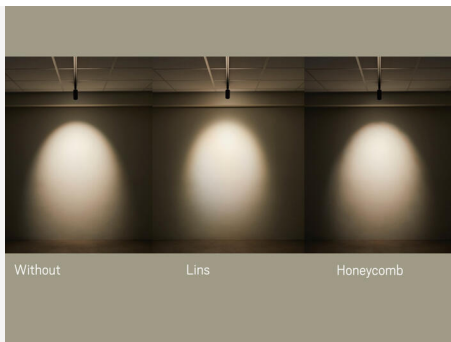
## COLOR AND MATERIAL

<b>Material:</b>	Aluminium
<b>Color:</b>	Black
<b>Environmental Assessment:</b>	Byggvarubedömningen

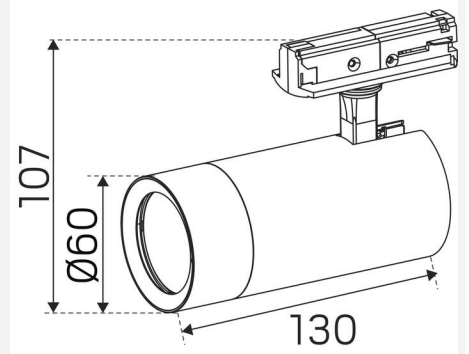
## MEASUREMENT AND INSTALLATION

<b>Operating Environment:</b>	Indoor / dry locations
<b>IP Degree of Protection:</b>	20
<b>Protection Class:</b>	I
<b>Installation:</b>	Light-track mounting
<b>Mounting Installation:</b>	1-phase Adapter
<b>Approval Marks:</b>	CE, a Hide-a-lite Choice
<b>Filament Test IEC 695-2-1(°C):</b>	650
<b>Length (mm):</b>	130
<b>Height (mm):</b>	107
<b>Diameter (mm):</b>	60
<b>Weight (kg):</b>	0,39





(mm)



36° 2000-3000K

m	∅ (m)	Lux Emed/Emax
1m	0,65	1413/1907
2m	1,31	353/477
3m	1,97	157/211
4m	2,64	88/120

1900cd



hide a lite  
choice

We focus on sustainability using recycled material for creating innovative luminaires, as well as replaceable LEDs and drivers.

Luminaires built for the future!