

PROFILE-U LOW ALU 2M

Low-build profile with a wide range of uses, only to protect the LEDstrip and increase cooling or as a complete luminaire. Thanks to its neat little design, it is easy to use even in confined spaces. Such as bench lighting, for raking and work lighting in reception desks and in display cabinets. Any unevenness on the installation surface when installing with clips is adjusted with the three grooves in the profile. Refer to the tabular summary under the document tab for suitable LEDstrips.

DESCRIPTION

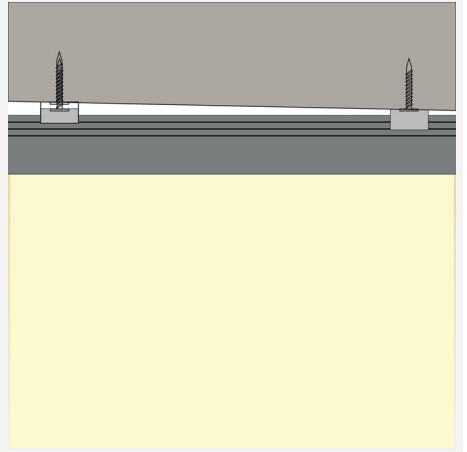
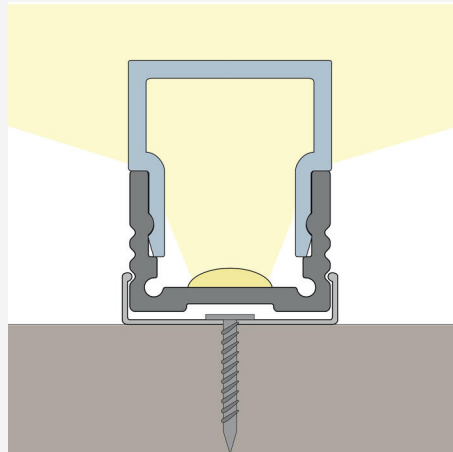
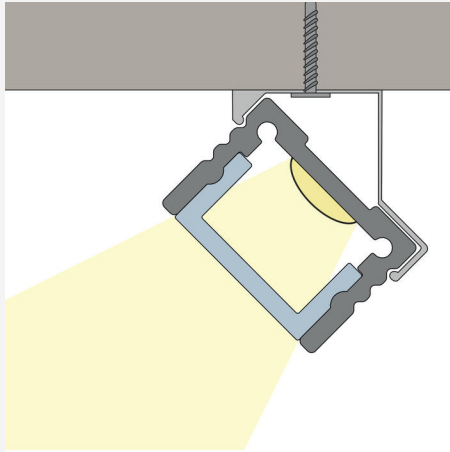
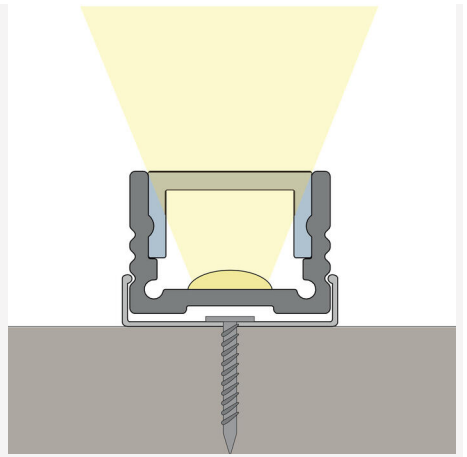
GTIN: 7392971121406
Item Name: Profile-U Low Alu 2m

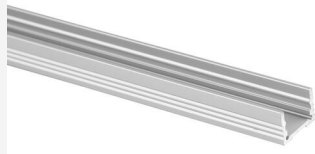
COLOR AND MATERIAL

Material: Aluminium
Color: Aluminum
Available in special color: Yes

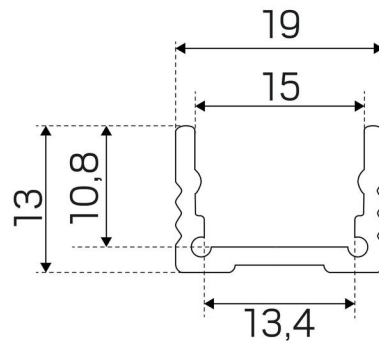
MEASUREMENT AND INSTALLATION

Operating Environment: Indoor / wet locations, Outdoor
Installation: Surface mounted
Mounting Installation: Clips
Width (mm): 19
Height (mm): 13
Depth (mm): 2010
Weight (kg): 0,7





(mm)



U-profil Alu låg 2m

