



1218 SMART WHITE 2700K

Low-build minidownlight IP44 with integrated push-in terminal for simplified and smart series connection, eliminates the hassle of external joints and minimises sources of error. Adapted for installation in appliance box and normal cut-out with tension springs. Energy efficient 3.2W/350mA replaces 25-30W halogen fittings with very good colour rendering, RA > 90. Very suitable for recessing into suspended ceilings. Cord set 2m with mini-contact included.

DESCRIPTION

GTIN:	7392971130798
Item Name:	1218 Smart White 2700K
Warranty:	5 years

LIGHT TECHNICAL DATA

Max. Luminaire Lumen (lm):	290
Light Source:	LED
Light Source Included:	Yes
Replaceability:	Non-replaceable LED
LED Colour:	Warm White
Colour Temperature (K):	2700
Colour Rendering Index (Ra):	>90
Colour Consistency (SDCM):	3
Luminous Intensity (cd):	210
Beam Angle (°):	70
Light sharing:	Symmetric
Light Outlet:	Direct
Number of Lamps (pcs):	1
Number of LED (pcs):	1
Life Time:	h Ta °C
Nominal Life Time (h):	60000

TECHNICAL DATA

Adjustable:	Yes
Tiltable (°):	15
Voltage (type):	DC
Voltage Forward (Vf):	8,7
Power LED (W):	3,2
Max. Power Luminaire (W):	3,2
Max. System Power (W):	3,5
Max. Efficiency Luminaire (lm/W):	97
Max. Efficiency System (lm/W):	97

Containing light source energy efficiency class (EU) 2019/2015: F

OPERATION AND CONNECTION

Dimmable:	Yes
Driver Included:	No
Driver Model:	Constant Current
Connection (type):	Quick Terminal
Constant Current (mA):	350
Min. Ta (°C):	-15
Max. Ta (°C):	40
Max. Tc (°C):	105

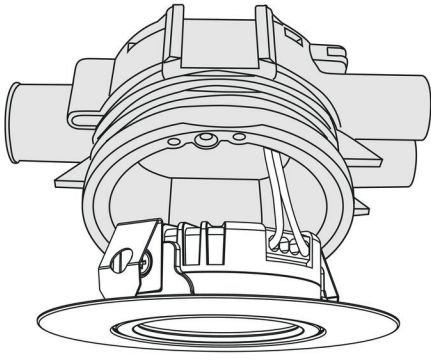
COLOR AND MATERIAL

Material:	Aluminium
Color:	White
Environmental Assessment:	Byggvarubedömningen

MEASUREMENT AND INSTALLATION

Operating Environment:	Indoor / bathroom (ceiling area 1)
IP Degree of Protection:	44
Protection Class:	III
Installation:	Built-in
Mounting Installation:	Mounting Spring
Fire Safety Marks:	MM-mark, Not in insulation without protection cover
Approval Marks:	CE
Height (mm):	22
Diameter (mm):	85
Weight (kg):	0,0842
Min. Built-in (mm):	Ø58x20
Height Recessed Part (mm):	20
Height Exterior Part (mm):	2
Built-in Ø (mm):	58mm





(mm)

