



OPTIC QUICK DEEP ISO WHITE 4000K

Downlight with reflector technology and deeply recessed light source approved for installation directly against insulation. Gives a discrete and glare free light with very good colour rendering, up to Ra>95. Suitable in both private and public environments where a pleasant general lighting is desired. Black front ring available as an accessory. Complete with phase dimmable driver, 3-pole push-in terminal for through wiring, strain relief for cable or flex hose 16mm. Dimmable with most common dimmers on the market.

DESCRIPTION

GTIN:	7392971138749
Item Name:	Optic Quick Deep ISO White 4000K
Warranty:	5 years

LIGHT TECHNICAL DATA

Max. Luminaire Lumen (lm):	415
Light Source:	LED
Light Source Included:	Yes
Replaceability:	Non-replaceable LED, Replaceable Control gear by professional
LED Colour:	White
Colour Temperature (K):	4000
Colour Rendering Index (Ra):	>90
Colour Consistency (SDCM):	3
Luminous Intensity (cd):	700
Beam Angle (°):	36
Light sharing:	Symmetric
Light Outlet:	Direct
Number of Lamps (pcs):	1
Number of LED (pcs):	1
Life Time:	L80 100000h Ta 25°C
Nominal Life Time (h):	100000
Lumen maintenance 50 000h:	L91
Lumen maintenance 100 000h:	L84
LLMF @ 50 000h:	0.91
LLMF @ 100 000h:	0.84
Life Time Driver:	50 000h/25%
Flicker (PstLM):	0,006
Stroboscopic effect (SVM):	0,021

TECHNICAL DATA

Voltage (type):	AC
Voltage Interval (V):	220...240V
Voltage Nominal (V):	230
Line Frequency (Hz):	50, 60
Power LED (W):	4,8
Max. Power Luminaire (W):	6
Max. System Power (W):	6
Max. Efficiency Luminaire (lm/W):	69,2
Max. Efficiency System (lm/W):	69,2
Containing light source energy efficiency class (EU) 2019/2015: F	
Eprel registration number:	908251

OPERATION AND CONNECTION

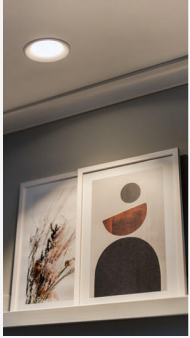
Dimmable:	Yes
Type of Dimming:	Trailing Edge, Leading Edge
Driver Included:	Yes
Driver Model:	Constant Current
Driver Type:	Stand Alone
Connection (type):	Quick Terminal
Connection (mm ²):	3x0,5-1,5
Through Wiring:	Yes
Strain Relief:	Yes
Power Factor λ :	0,9
Efficiency (%):	75
Constant Current (mA):	270
Min. Ta (°C):	-20
Max. Ta (°C):	40
Max. Tc (°C):	85
Dimming secondary side:	AM
Protection Against:	Short Circuit, Overload
Fuse B10 (pcs):	75
Fuse B16 (pcs):	100
Fuse C10 (pcs):	125
Fuse C16 (pcs):	140

COLOR AND MATERIAL

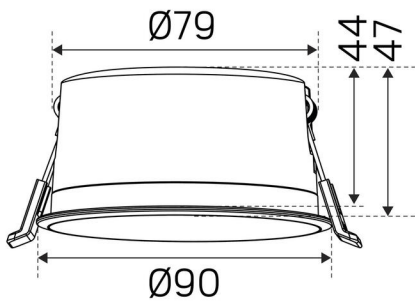
Material:	Aluminium
Color:	White
Environmental Assessment:	Byggvarubedömningen

MEASUREMENT AND INSTALLATION

Operating Environment:	Indoor / bathroom (ceiling area 1), Outdoor
IP Degree of Protection:	44
Protection Class:	II
Installation:	Built-in
Mounting Installation:	Mounting Spring
Ceiling Thickness Interval (mm):	3-26mm
Fire Safety Marks:	Approved for installation against insulation
Protection Cover:	7466700, 7466701, 7466702
Approval Marks:	CE
Filament Test IEC 695-2-1(°C):	650
Height (mm):	47
Diameter (mm):	90
Weight (kg):	0,283
Min. Built-in (mm):	170x120x44
Height Recessed Part (mm):	44
Height Exterior Part (mm):	3
Built-in Ø (mm):	82-85mm



(mm)



(mm)

