



OPTIC S QUICK ISO WHITE 3000K

Low-build tiltable downlight, made for installation in 28mm secondary spaced boarding and approved for installation directly against insulation. Cut-out between 55-63mm – perfect replacement for old halogen fittings in renovation and maintenance work. Reflector technology, highly glare-free light distribution and extremely good colour rendering, Ra>95. IP44 rated for installation indoors or outdoors. Complete with phase dimmable driver, 3-pole push-in terminal for through wiring and screwless strain relief for cable or flex hose 230V. Dimmable with most common dimmers on the market.

DESCRIPTION

GTIN:	7392971139913
Item Name:	Optic S Quick ISO White 3000K
Warranty:	5 years

LIGHT TECHNICAL DATA

Max. Luminaire Lumen (lm):	290
Light Source:	LED
Light Source Included:	Yes
Replaceability:	Non-replaceable LED, Replaceable Control gear by professional
LED Colour:	Warm White
Colour Temperature (K):	3000
Colour Rendering Index (Ra):	>95
Colour Consistency (SDCM):	3
Luminous Intensity (cd):	600
Beam Angle (°):	36
Light sharing:	Symmetric
Light Outlet:	Direct
Number of Lamps (pcs):	1
Number of LED (pcs):	1
Life Time:	h Ta °C
Nominal Life Time (h):	100000
Lumen maintenance 50 000h:	L88
Lumen maintenance 75 000h:	L83
Lumen maintenance 100 000h:	L78
LLMF @ 50 000h:	0.88
LLMF @ 100 000h:	0.78
Life Time Driver:	50 000h/10%
Flicker (PstLM):	0,053
Stroboscopic effect (SVM):	0,058

TECHNICAL DATA

Tiltable (°):	20
Voltage (type):	AC
Voltage Interval (V):	220...240V
Voltage Nominal (V):	230
Line Frequency (Hz):	50, 60
Power LED (W):	3,3
Max. Power Luminaire (W):	4,5
Max. System Power (W):	4,5
Max. Efficiency Luminaire (lm/W):	64,4
Max. Efficiency System (lm/W):	64,4
Containing light source energy efficiency class (EU) 2019/2015: E	
Eprel registration number:	1101670

OPERATION AND CONNECTION

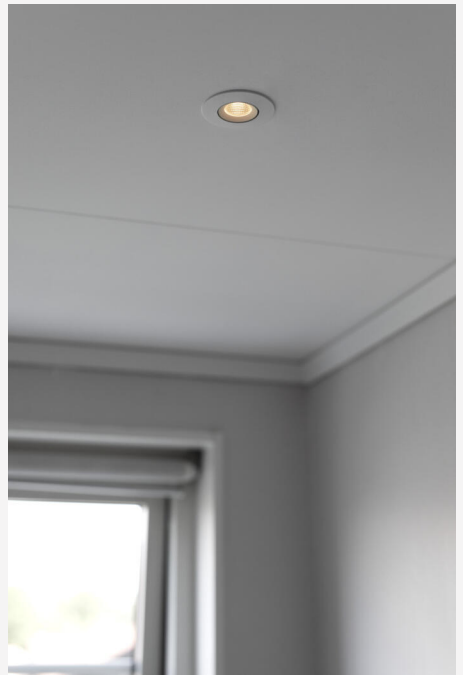
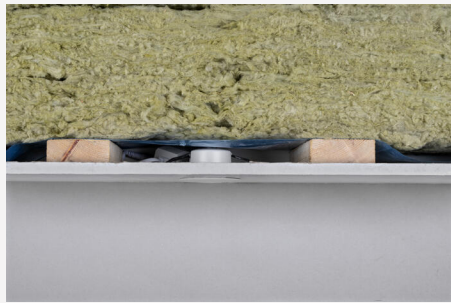
Dimmable:	Yes
Type of Dimming:	Trailing Edge
Driver Included:	Yes
Driver Model:	Constant Current
Driver Type:	Stand Alone
Driver Manufacturer:	Hide-a-lite
Connection (type):	Quick Terminal
Connection (mm ²):	3x0,5-1,5
Through Wiring:	Yes
Strain Relief:	Yes
Power Factor λ :	0,9
Efficiency (%):	73
Constant Current (mA):	180
Min. Ta (°C):	-20
Max. Ta (°C):	40
Max. Tc (°C):	85
Dimming secondary side:	AM
Fuse B10 (pcs):	100
Fuse B16 (pcs):	160
Fuse C10 (pcs):	165
Fuse C16 (pcs):	260

COLOR AND MATERIAL

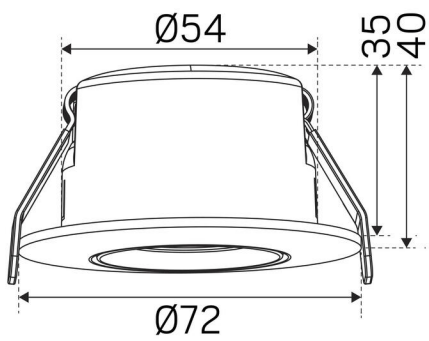
Material:	Aluminium
Color:	White
Environmental Assessment:	Byggvarubedömningen

MEASUREMENT AND INSTALLATION

Operating Environment:	Indoor / bathroom (ceiling area 1), Outdoor
IP Degree of Protection:	44
Protection Class:	II
Installation:	Built-in
Mounting Installation:	Mounting Spring
Ceiling Thickness Interval (mm):	3-26mm
Fire Safety Marks:	Approved for installation against insulation
Protection Cover:	7466700, 7466701, 7466702
Approval Marks:	CE
Filament Test IEC 695-2-1(°C):	650
Height (mm):	39
Diameter (mm):	72
Weight (kg):	0,155
Min. Built-in (mm):	170x120x28
Height Recessed Part (mm):	35
Height Exterior Part (mm):	4
Built-in Ø (mm):	55-63mm



(mm)



(mm)

