

LEVEL QUICK ISO WHITE TUNE

Effective and low-build for installation in 28mm secondary spaced boarding with 13mm plasterboard, approved for installation directly against insulation. An easily installed tiltable luminaire with a modern expression. Lens technology and recessed light source giving a discrete and glare free light with very good colour rendering, Ra>95. IP44 rated for installation both indoors and outdoors. Mains dimmable driver, 3-pole push-in terminal for through wiring and screwless strain relief for cable or flex hose 16 mm. Dimmable with most common dimmers on the market.

DESCRIPTION

GTIN:	7392971139968
Item Name:	Level Quick ISO White Tune
Warranty:	5 years

LIGHT TECHNICAL DATA

Max. Luminaire Lumen (lm):	350
Light Source:	LED
Light Source Included:	Yes
Replaceability:	Non-replaceable LED, Replaceable Control gear by professional
LED Colour:	Tune
Colour Temperature (K):	2700
Range Colour Temperature (K):	Tune 2000-2700
Colour Rendering Index (Ra):	>95
Colour Consistency (SDCM):	3
Luminous Intensity (cd):	480
Beam Angle (°):	36
Light sharing:	Symmetric
Light Outlet:	Direct
Number of Lamps (pcs):	1
Number of LED (pcs):	1
Life Time:	h Ta °C
Nominal Life Time (h):	100000
Lumen maintenance 50 000h:	L91
Lumen maintenance 75 000h:	L87
Lumen maintenance 100 000h:	L83
LLMF @ 50 000h:	0.91
LLMF @ 100 000h:	0.83
Life Time Driver:	50 000h/5%
Flicker (PstLM):	0,026
Stroboscopic effect (SVM):	0,028

TECHNICAL DATA

Adjustable:	Yes
Tilttable (°):	20
Voltage (type):	AC
Voltage Interval (V):	220...240V
Voltage Nominal (V):	230
Line Frequency (Hz):	50, 60
Power LED (W):	4,4
Max. Power Luminaire (W):	5,5
Max. System Power (W):	5,5
Max. Efficiency Luminaire (lm/W):	70
Max. Efficiency System (lm/W):	70
Containing light source energy efficiency class (EU) 2019/2015: G	

OPERATION AND CONNECTION

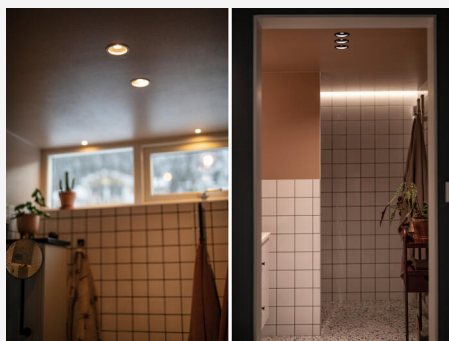
Dimmable:	Yes
Type of Dimming:	Trailing Edge
Driver Included:	Yes
Driver Model:	Constant Current
Driver Type:	Stand Alone
Driver Manufacturer:	Hide-a-lite
Connection (type):	Quick Terminal
Connection (mm2):	3x0,5-2,5
Through Wiring:	Yes
Strain Relief:	Yes
Power Factor λ:	0,9
Efficiency (%):	81
Power loss (W):	1,1
Constant Current (mA):	145
Min. Ta (°C):	-20
Max. Ta (°C):	40
Max. Tc (°C):	90
Dimming secondary side:	AM
Fuse B10 (pcs):	100
Fuse B16 (pcs):	160
Fuse C10 (pcs):	100
Fuse C16 (pcs):	160

COLOR AND MATERIAL

Material:	Aluminium
Color:	White
Environmental Assessment:	Byggvarubedömningen

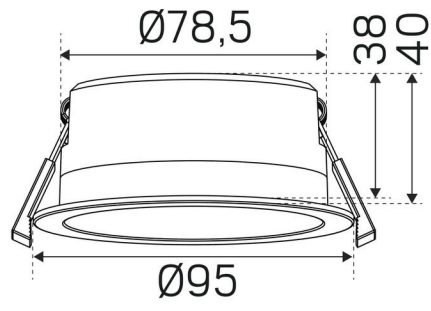
MEASUREMENT AND INSTALLATION

Operating Environment:	Indoor / bathroom (ceiling area 1), Outdoor
IP Degree of Protection:	44
Protection Class:	II
Installation:	Built-in
Mounting Installation:	Mounting Spring
Ceiling Thickness Interval (mm):	3-26mm
Fire Safety Marks:	Approved for installation against insulation
Protection Cover:	7466700, 7466701, 7466702
Approval Marks:	CE, SELV
Filament Test IEC 695-2-1(°C):	650
Height (mm):	40
Diameter (mm):	95
Weight (kg):	0,23
Min. Built-in (mm):	180x150x28
Height Recessed Part (mm):	38
Height Exterior Part (mm):	2
Built-in Ø (mm):	80-85mm





(mm)



(mm)

