



OPTIC G2 QUICK ISO WHITE 2700K

Downlight made for a sustainable future – easily dismantled via a module system to save time when recycling. Low-build and adapted for installation in 28mm secondary spaced boarding directly against insulation. Modern LED and reflector technology with good glare-free light distribution and high lumen output. Tilttable 30°, which also makes it the perfect choice for sloping ceilings. Very good colour rendering, Ra>95. Driver with cover that can be adapted for cable or flex hose 16mm. Comes with 3-pole push-in terminal for through wiring and strain relief. This luminaire is dimmable with the most commonly available dimmers on the market.

DESCRIPTION

GTIN:	7392971146669
Item Name:	Optic G2 Quick ISO White 2700K
Warranty:	5 years

LIGHT TECHNICAL DATA

Max. Luminaire Lumen (lm):	470
Light Source:	LED
Light Source Included:	Yes
Replaceability:	Replaceable LED by professional, Replaceable Control gear by professional
LED Colour:	Warm White
Colour Temperature (K):	2700
Colour Rendering Index (Ra):	>98
Colour Consistency (SDCM):	3
Luminous Intensity (cd):	780
Beam Angle (°):	36
Light sharing:	Symmetric
Light Outlet:	Direct
Number of Lamps (pcs):	1
Number of LED (pcs):	1
Life Time:	L80 100000h Ta 25°C
Nominal Life Time (h):	100000
Lumen maintenance 50 000h:	L91
Lumen maintenance 75 000h:	L87
Lumen maintenance 100 000h:	L83
LLMF @ 50 000h:	0.91
LLMF @ 100 000h:	0.83
Life Time Driver:	50 000h/10%
Flicker (PstLM):	0,006
Stroboscopic effect (SVM):	0,021

TECHNICAL DATA

Adjustable:	Yes
Tilttable (°):	30
Voltage (type):	AC
Voltage Interval (V):	220...240V
Voltage Nominal (V):	230
Line Frequency (Hz):	50, 60
Power LED (W):	4,8
Max. Power Luminaire (W):	6
Max. System Power (W):	6
Max. Efficiency Luminaire (lm/W):	78,3
Max. Efficiency System (lm/W):	78,3
Containing light source energy efficiency class (EU) 2019/2015:	E
Eprel registration number:	1102039

OPERATION AND CONNECTION

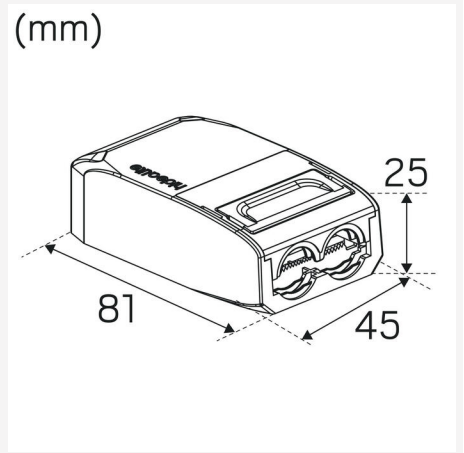
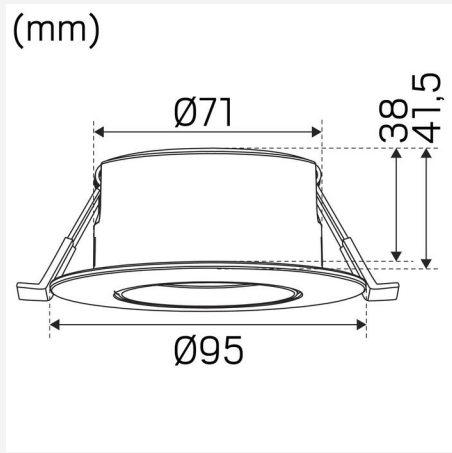
Dimmable:	Yes
Type of Dimming:	Trailing Edge
Driver Included:	Yes
Driver Model:	Constant Current
Driver Type:	Stand Alone
Driver Manufacturer:	Hide-a-lite
Connection (type):	Quick Terminal
Connection (mm²):	3x0,5-1,5
Through Wiring:	Yes
Strain Relief:	Yes
Power Factor λ:	0,95
Efficiency (%):	78
Power loss (W):	1,2
Leakage current (mA) (at 230 V, 50 Hz, full load):	0,05
THD (%):	20
Constant Current (mA):	270
Min. Ta (°C):	-20
Max. Ta (°C):	40
Max. Tc (°C):	85
Dimming secondary side:	AM
Inrush current (max/time):	2,5A 30 μ s
Fuse B10 (pcs):	68
Fuse B16 (pcs):	109
Fuse C10 (pcs):	114
Fuse C16 (pcs):	182

COLOR AND MATERIAL

Material:	Aluminium
Color:	White
Environmental Assessment:	Byggvarubedömningen, EPD

MEASUREMENT AND INSTALLATION

Operating Environment:	Indoor / bathroom (ceiling area 1), Outdoor
IP Degree of Protection:	44
Protection Class:	II
Installation:	Built-in
Mounting Installation:	Mounting Spring
Ceiling Thickness Interval (mm):	3-26mm
Fire Safety Marks:	Approved for installation against insulation
Approval Marks:	CE, SELV, a Hide-a-lite Choice
Height (mm):	41
Diameter (mm):	95
Weight (kg):	0,26
Min. Built-in (mm):	170x120x38
Height Recessed Part (mm):	38
Height Exterior Part (mm):	3
Built-in \emptyset (mm):	73-85mm



hideolite
choice

We focus on sustainability using recycled material for creating innovative luminaires, as well as replaceable LEDs and drivers.

Luminaires built for the future!

