



## OPTIC G2 QUICK ISO WHITE 3000K

Downlight made for a sustainable future – easily dismantled via a module system to save time when recycling. Low-build and adapted for installation in 28mm secondary spaced boarding directly against insulation. Modern LED and reflector technology with good glare-free light distribution and high lumen output. Tilttable 30°, which also makes it the perfect choice for sloping ceilings. Very good colour rendering, Ra>95. Driver with cover that can be adapted for cable or flex hose 16mm. Comes with 3-pole push-in terminal for through wiring and strain relief. This luminaire is dimmable with the most commonly available dimmers on the market.

### DESCRIPTION

<b>GTIN:</b>	7392971146676
<b>Item Name:</b>	Optic G2 Quick ISO White 3000K
<b>Warranty:</b>	5 years

## LIGHT TECHNICAL DATA

<b>Max. Luminaire Lumen (lm):</b>	500
<b>Light Source:</b>	LED
<b>Light Source Included:</b>	Yes
<b>Replaceability:</b>	Replaceable LED by professional, Replaceable Control gear by professional
<b>LED Colour:</b>	Warm White
<b>Colour Temperature (K):</b>	3000
<b>Colour Rendering Index (Ra):</b>	>98
<b>Colour Consistency (SDCM):</b>	3
<b>Luminous Intensity (cd):</b>	810
<b>Beam Angle (°):</b>	36
<b>Light sharing:</b>	Symmetric
<b>Light Outlet:</b>	Direct
<b>Number of Lamps (pcs):</b>	1
<b>Number of LED (pcs):</b>	1
<b>Life Time:</b>	h Ta °C
<b>Nominal Life Time (h):</b>	100000
<b>Lumen maintenance 50 000h:</b>	L91
<b>Lumen maintenance 75 000h:</b>	L87
<b>Lumen maintenance 100 000h:</b>	L83
<b>LLMF @ 50 000h:</b>	0.91
<b>LLMF @ 100 000h:</b>	0.83
<b>Life Time Driver:</b>	50 000h/10%
<b>Flicker (PstLM):</b>	0,006
<b>Stroboscopic effect (SVM):</b>	0,021

## TECHNICAL DATA

<b>Adjustable:</b>	Yes
<b>Tilttable (°):</b>	30
<b>Voltage (type):</b>	AC
<b>Voltage Interval (V):</b>	220...240V
<b>Voltage Nominal (V):</b>	230
<b>Line Frequency (Hz):</b>	50, 60
<b>Power LED (W):</b>	4,8
<b>Max. Power Luminaire (W):</b>	6
<b>Max. System Power (W):</b>	6
<b>Max. Efficiency Luminaire (lm/W):</b>	83
<b>Max. Efficiency System (lm/W):</b>	83
<b>Containing light source energy efficiency class (EU) 2019/2015: E</b>	

## OPERATION AND CONNECTION

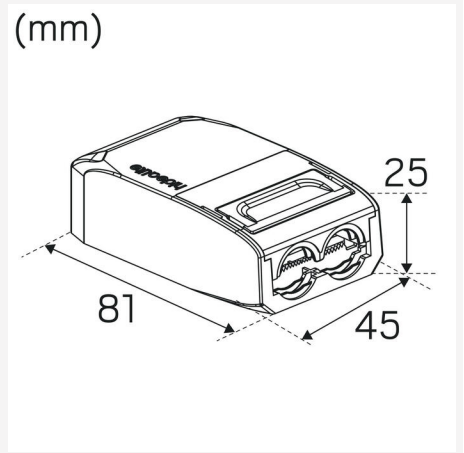
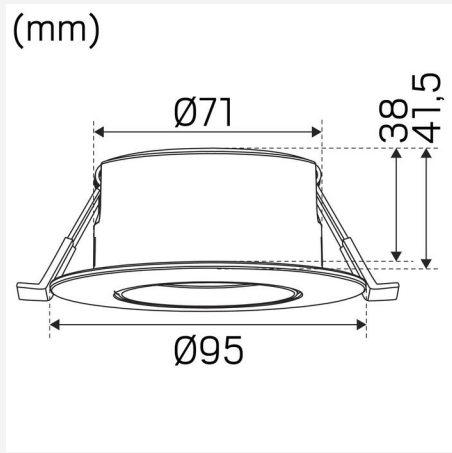
<b>Dimmable:</b>	Yes
<b>Type of Dimming:</b>	Trailing Edge
<b>Driver Included:</b>	Yes
<b>Driver Model:</b>	Constant Current
<b>Driver Type:</b>	Stand Alone
<b>Driver Manufacturer:</b>	Hide-a-lite
<b>Connection (type):</b>	Quick Terminal
<b>Connection (mm<sup>2</sup>):</b>	3x0,5-1,5
<b>Through Wiring:</b>	Yes
<b>Strain Relief:</b>	Yes
<b>Power Factor <math>\lambda</math>:</b>	0,95
<b>Efficiency (%):</b>	78
<b>Power loss (W):</b>	1,2
<b>Leakage current (mA) (at 230 V, 50 Hz, full load):</b>	0,05
<b>THD (%):</b>	20
<b>Constant Current (mA):</b>	270
<b>Min. Ta (°C):</b>	-20
<b>Max. Ta (°C):</b>	40
<b>Max. Tc (°C):</b>	85
<b>Dimming secondary side:</b>	AM
<b>Inrush current (max/time):</b>	2,5A 30 $\mu$ s
<b>Fuse B10 (pcs):</b>	68
<b>Fuse B16 (pcs):</b>	109
<b>Fuse C10 (pcs):</b>	114
<b>Fuse C16 (pcs):</b>	182

## COLOR AND MATERIAL

<b>Material:</b>	Aluminium
<b>Color:</b>	White
<b>Environmental Assessment:</b>	Byggvarubedömningen, EPD

## MEASUREMENT AND INSTALLATION

<b>Operating Environment:</b>	Indoor / bathroom (ceiling area 1), Outdoor
<b>IP Degree of Protection:</b>	44
<b>Protection Class:</b>	II
<b>Installation:</b>	Built-in
<b>Mounting Installation:</b>	Mounting Spring
<b>Ceiling Thickness Interval (mm):</b>	3-26mm
<b>Fire Safety Marks:</b>	Approved for installation against insulation
<b>Approval Marks:</b>	CE, SELV, a Hide-a-lite Choice
<b>Height (mm):</b>	41
<b>Diameter (mm):</b>	95
<b>Weight (kg):</b>	0,26
<b>Min. Built-in (mm):</b>	170x120x38
<b>Height Recessed Part (mm):</b>	38
<b>Height Exterior Part (mm):</b>	3
<b>Built-in <math>\emptyset</math> (mm):</b>	73-85mm



**hideolite**  
choice

We focus on sustainability using recycled material for creating innovative luminaires, as well as replaceable LEDs and drivers.

Luminaires built for the future!

