



COMFORT G4 QUICK ISO WHITE 36° 3000K

High-performance downlight made for a sustainable future – easily dismantled via a module system to save time when recycling. Comfort G4 Quick ISO is a downlight with lens technology, high lumen output and ISO cover for installation in 28mm secondary spaced boarding and approved for installation directly against insulation. Easily installed with very good colour rendering, Ra>95, that is just as good indoors as outdoors. Driver with cover that can be adapted for cable or flex hose 16mm. Comes with 3-pole push-in terminal for through wiring and strain relief. This luminaire is dimmable with the most commonly available dimmers on the market.

DESCRIPTION

GTIN:	7392971146492
Item Name:	Comfort G4 Quick ISO White 36° 3000K
Warranty:	5 years

LIGHT TECHNICAL DATA

Max. Luminaire Lumen (lm):	690
Light Source:	LED
Light Source Included:	Yes
Replaceability:	Replaceable LED by professional, Replaceable Control gear by professional
LED Colour:	Warm White
Colour Temperature (K):	3000
Colour Rendering Index (Ra):	>98
Colour Consistency (SDCM):	3
Luminous Intensity (cd):	1550
Beam Angle (°):	36
Light sharing:	Symmetric
Light Outlet:	Direct
Number of Lamps (pcs):	1
Number of LED (pcs):	1
Life Time:	h Ta °C
Nominal Life Time (h):	100000
Lumen maintenance 50 000h:	L90
Lumen maintenance 75 000h:	L86
Lumen maintenance 100 000h:	L82
LLMF @ 50 000h:	0.9
LLMF @ 100 000h:	0.82
Life Time Driver:	50 000h/10%
Flicker (PstLM):	0,003
Stroboscopic effect (SVM):	0,02

TECHNICAL DATA

Adjustable:	No
Voltage (type):	AC
Voltage Interval (V):	220...240V
Voltage Nominal (V):	230
Line Frequency (Hz):	50, 60
Power LED (W):	6,5
Max. Power Luminaire (W):	7,5
Max. System Power (W):	7,5
Max. Efficiency Luminaire (lm/W):	99
Max. Efficiency System (lm/W):	99

Containing light source energy efficiency class (EU) 2019/2015: E

OPERATION AND CONNECTION

Dimmable:	Yes
Type of Dimming:	Trailing Edge
Driver Included:	Yes
Driver Model:	Constant Current
Driver Type:	Stand Alone
Driver Manufacturer:	Hide-a-lite
Connection (type):	Quick Terminal
Connection (mm2):	3x0,5-1,5
Through Wiring:	Yes
Strain Relief:	Yes
Power Factor λ:	0,95
Efficiency (%):	80
Power loss (W):	1
Leakage current (mA) (at 230 V, 50 Hz, full load):	0,05
THD (%):	20
Constant Current (mA):	180
Min. Ta (°C):	-20
Max. Ta (°C):	40
Max. Tc (°C):	85
Dimming secondary side:	AM
Inrush current (max/time):	2,5A 30 μ s
Fuse B10 (pcs):	55
Fuse B16 (pcs):	87
Fuse C10 (pcs):	91
Fuse C16 (pcs):	146

COLOR AND MATERIAL

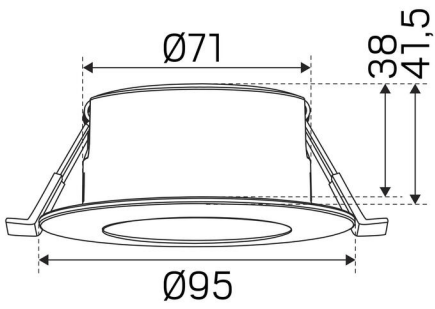
Material:	Diecasted, Aluminium
Color:	White
Environmental Assessment:	Byggvarubedömningen
Available in special color:	Yes

MEASUREMENT AND INSTALLATION

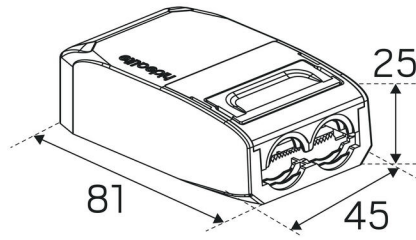
Operating Environment:	Indoor / bathroom (ceiling area 1), Outdoor
IP Degree of Protection:	44
Protection Class:	II
Installation:	Built-in
Mounting Installation:	Mounting Spring
Ceiling Thickness Interval (mm):	3-26mm
Fire Safety Marks:	Approved for installation against insulation
Approval Marks:	CE, a Hide-a-lite Choice
Height (mm):	41
Diameter (mm):	95
Weight (kg):	0,295
Min. Built-in (mm):	170x120x38
Height Recessed Part (mm):	38
Height Exterior Part (mm):	3
Built-in \emptyset (mm):	73-85mm



(mm)



(mm)



hideolite
choice

We focus on sustainability using recycled material for creating innovative luminaires, as well as replaceable LEDs and drivers.

Luminaires built for the future!

