



## COMFORT G4 QUICK ISO TILT WHITE 60° 3000K

High-performance downlight made for a sustainable future – easily dismantled via a module system to save time when recycling. Comfort G4 Quick ISO Tilt is a downlight with lens technology, high lumen output and ISO cover for installation in 28mm secondary spaced boarding and approved for installation directly against insulation. Easily installed with very good colour rendering, Ra>95, that is just as good indoors as outdoors. Tiltable version (30°) is the perfect choice of luminaire for sloping ceilings. Driver with cover that can be adapted for cable or flex hose 16mm. Comes with 3-pole push-in terminal for through wiring and strain relief. This luminaire is dimmable with the most commonly available dimmers on the market.

### DESCRIPTION

<b>GTIN:</b>	7392971146553
<b>Replaces:</b>	7392971138152
<b>Item Name:</b>	Comfort G4 Quick ISO Tilt White 60° 3000K
<b>Warranty:</b>	5 years

## LIGHT TECHNICAL DATA

<b>Max. Luminaire Lumen (lm):</b>	690
<b>Light Source:</b>	LED
<b>Light Source Included:</b>	Yes
<b>Replaceability:</b>	Replaceable LED by professional, Replaceable Control gear by professional
<b>LED Colour:</b>	Warm White
<b>Colour Temperature (K):</b>	3000
<b>Colour Rendering Index (Ra):</b>	>98
<b>Colour Consistency (SDCM):</b>	3
<b>Luminous Intensity (cd):</b>	670
<b>Beam Angle (°):</b>	60
<b>Light sharing:</b>	Symmetric
<b>Light Outlet:</b>	Direct
<b>Number of Lamps (pcs):</b>	1
<b>Number of LED (pcs):</b>	1
<b>Life Time:</b>	L80 100000h Ta 25°C
<b>Nominal Life Time (h):</b>	100000
<b>Lumen maintenance 50 000h:</b>	L90
<b>Lumen maintenance 75 000h:</b>	L86
<b>Lumen maintenance 100 000h:</b>	L82
<b>LLMF @ 50 000h:</b>	0.9
<b>LLMF @ 100 000h:</b>	0.82
<b>Life Time Driver:</b>	50 000h/10%
<b>Flicker (PstLM):</b>	0,003
<b>Stroboscopic effect (SVM):</b>	0,02

## TECHNICAL DATA

<b>Adjustable:</b>	Yes
<b>Tilttable (°):</b>	30
<b>Voltage (type):</b>	AC
<b>Voltage Interval (V):</b>	220...240V
<b>Voltage Nominal (V):</b>	230
<b>Line Frequency (Hz):</b>	50, 60
<b>Power LED (W):</b>	6,5
<b>Max. Power Luminaire (W):</b>	7,5
<b>Max. System Power (W):</b>	7,5
<b>Max. Efficiency Luminaire (lm/W):</b>	92
<b>Max. Efficiency System (lm/W):</b>	92
<b>Containing light source energy efficiency class (EU) 2019/2015:</b>	E
<b>Eprel registration number:</b>	1102074

## OPERATION AND CONNECTION

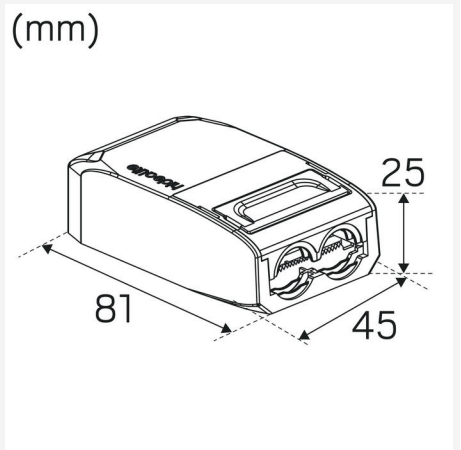
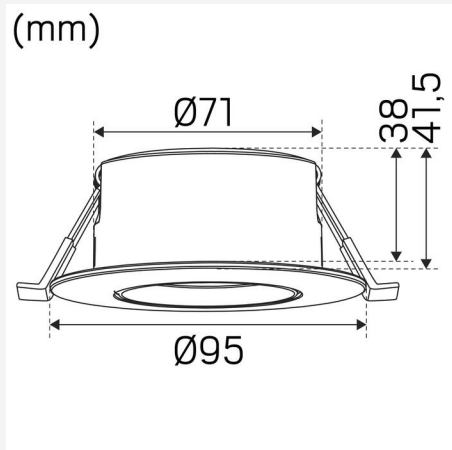
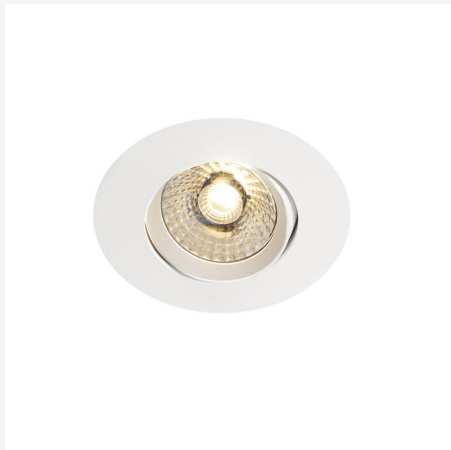
<b>Dimmable:</b>	Yes
<b>Type of Dimming:</b>	Trailing Edge
<b>Driver Included:</b>	Yes
<b>Driver Model:</b>	Constant Current
<b>Driver Type:</b>	Stand Alone
<b>Driver Manufacturer:</b>	Hide-a-lite
<b>Connection (type):</b>	Quick Terminal
<b>Connection (mm2):</b>	3x0,5-1,5
<b>Through Wiring:</b>	Yes
<b>Strain Relief:</b>	Yes
<b>Power Factor <math>\lambda</math>:</b>	0,95
<b>Efficiency (%):</b>	80
<b>Power loss (W):</b>	1
<b>Leakage current (mA) (at 230 V, 50 Hz, full load):</b>	0,05
<b>THD (%):</b>	20
<b>Constant Current (mA):</b>	180
<b>Min. Ta (°C):</b>	-20
<b>Max. Ta (°C):</b>	40
<b>Max. Tc (°C):</b>	85
<b>Dimming secondary side:</b>	AM
<b>Inrush current (max/time):</b>	2,5A 30 $\mu$ s
<b>Fuse B10 (pcs):</b>	55
<b>Fuse B16 (pcs):</b>	87
<b>Fuse C10 (pcs):</b>	91
<b>Fuse C16 (pcs):</b>	146

## COLOR AND MATERIAL

<b>Material:</b>	Aluminium
<b>Color:</b>	White
<b>Environmental Assessment:</b>	Byggvarubedömningen

## MEASUREMENT AND INSTALLATION

<b>Operating Environment:</b>	Indoor / bathroom (ceiling area 1), Outdoor
<b>IP Degree of Protection:</b>	44
<b>Protection Class:</b>	II
<b>Installation:</b>	Built-in
<b>Mounting Installation:</b>	Mounting Spring
<b>Ceiling Thickness Interval (mm):</b>	3-26mm
<b>Fire Safety Marks:</b>	Approved for installation against insulation
<b>Protection Cover:</b>	7466700, 7466701, 7466702
<b>Approval Marks:</b>	CE, SELV, a Hide-a-lite Choice
<b>Height (mm):</b>	41
<b>Diameter (mm):</b>	95
<b>Weight (kg):</b>	0,3
<b>Min. Built-in (mm):</b>	170x120x38
<b>Height Recessed Part (mm):</b>	38
<b>Height Exterior Part (mm):</b>	3
<b>Built-in <math>\varnothing</math> (mm):</b>	73-85mm



**hideolite**  
choice

We focus on sustainability using recycled material for creating innovative luminaires, as well as replaceable LEDs and drivers.

Luminaires built for the future!

