



OPTIC G2 L QUICK ISO DALI WHITE 36° TUNE

Downlight made for a sustainable future – easily dismantled via a module system to save time when recycling. Big brother of the Optic family, perfect for high ceilings. Low build, suited for installation in 28mm secondary spaced boarding and directly against insulation. Modern LED and reflector technology with good glare-free light distribution and high lumen output. Tilttable 30°, which also makes it the perfect choice for sloping ceilings. Very good colour rendering, Ra>95. Driver with cover that can be adapted for cable or flex hose 16mm. Comes with 3-pole push-in terminal for through wiring and strain relief. Driver comes together with Q-Box Micro. This luminaire is dimmable with the most commonly available dimmers on the market.

DESCRIPTION

| | |
|-------------------|--|
| GTIN: | 7392971147017 |
| Item Name: | Optic G2 L Quick ISO DALI White 36° Tune |
| Warranty: | 5 years |

LIGHT TECHNICAL DATA

| | |
|--------------------------------------|---|
| Max. Luminaire Lumen (lm): | 460 |
| Light Source: | LED |
| Light Source Included: | Yes |
| Replaceability: | Replaceable LED by professional, Replaceable Control gear by professional |
| LED Colour: | Tune |
| Colour Temperature (K): | 2700 |
| Range Colour Temperature (K): | Tune 2000-2700 |
| Colour Rendering Index (Ra): | >95 |
| Colour Consistency (SDCM): | 3 |
| Luminous Intensity (cd): | 780 |
| Beam Angle (°): | 36 |
| Light sharing: | Symmetric |
| Light Outlet: | Direct |
| Number of Lamps (pcs): | 1 |
| Number of LED (pcs): | 1 |
| Life Time: | h Ta °C |
| Nominal Life Time (h): | 100000 |
| Lumen maintenance 50 000h: | L91 |
| Lumen maintenance 75 000h: | L83 |
| Lumen maintenance 100 000h: | L82 |
| LLMF @ 50 000h: | 0.91 |
| LLMF @ 100 000h: | 0.82 |
| Life Time Driver: | 50 000h/10% |
| Flicker (PstLM): | 0,003 |
| Stroboscopic effect (SVM): | 0,02 |

TECHNICAL DATA

| | |
|--|------------|
| Adjustable: | Yes |
| Tiltable (°): | 30 |
| Voltage (type): | AC |
| Voltage Interval (V): | 220...240V |
| Voltage Nominal (V): | 230 |
| Line Frequency (Hz): | 50 |
| Power LED (W): | 6,5 |
| Max. Power Luminaire (W): | 7,5 |
| Max. System Power (W): | 7,5 |
| Max. Efficiency Luminaire (lm/W): | 61,3 |
| Max. Efficiency System (lm/W): | 61,3 |
| Containing light source energy efficiency class (EU) 2019/2015: F | |

OPERATION AND CONNECTION

| | |
|---|-------------------------|
| Dimmable: | Yes |
| Type of Dimming: | Push 230V, DALI 2 |
| Driver Included: | Yes |
| Driver Model: | Constant Current |
| Driver Type: | Stand Alone |
| Driver Manufacturer: | Hide-a-lite |
| Connection (type): | Quick Terminal |
| Connection (mm2): | 5x0,5-2,5 |
| Through Wiring: | Yes |
| Strain Relief: | Yes |
| Power Factor λ: | 0,95 |
| Efficiency (%): | 80 |
| Power loss (W): | 1 |
| Leakage current (mA) (at 230 V, 50 Hz, full load): | 0,05 |
| THD (%): | 20 |
| Standby Power: | 0,5 |
| Constant Current (mA): | 180 |
| Min. Ta (°C): | -20 |
| Max. Ta (°C): | 40 |
| Max. Tc (°C): | 85 |
| Dimming secondary side: | AM |
| Memory Function Power Failure: | Yes |
| Protection Against: | Short Circuit, Overload |
| Inrush current (max/time): | 16A 20 μ s |
| Mains surge protection DM (kV): | 500 |
| Mains surge protection CM (kV): | 1000 |
| Fuse B10 (pcs): | 65 |
| Fuse B16 (pcs): | 104 |
| Fuse C10 (pcs): | 75 |
| Fuse C16 (pcs): | 120 |

COLOR AND MATERIAL

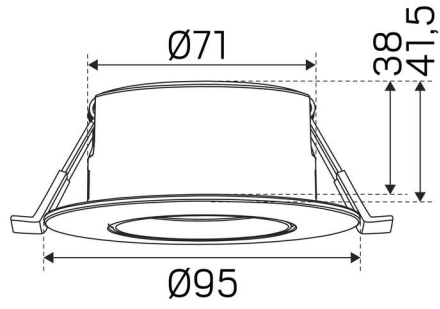
| | |
|----------------------------------|--------------------------|
| Material: | Aluminium |
| Color: | White |
| Environmental Assessment: | Byggvarubedömningen, EPD |

MEASUREMENT AND INSTALLATION

| | |
|--|--|
| Operating Environment: | Indoor / bathroom (ceiling area 1), Outdoor |
| IP Degree of Protection: | 44 |
| Protection Class: | II |
| Installation: | Built-in |
| Mounting Installation: | Mounting Spring |
| Ceiling Thickness Interval (mm): | 3-26mm |
| Fire Safety Marks: | Approved for installation against insulation |
| Protection Cover: | 7466700, 7466701, 7466702 |
| Approval Marks: | CE, SELV, a Hide-a-lite Choice |
| Filament Test IEC 695-2-1(°C): | 650 |
| Height (mm): | 41 |
| Diameter (mm): | 95 |
| Weight (kg): | 0,331 |
| Min. Built-in (mm): | 170x120x38 |
| Height Recessed Part (mm): | 38 |
| Height Exterior Part (mm): | 3 |
| Built-in \emptyset (mm): | 83-85mm |



(mm)



(mm)

