

HEATLINE 50 2700K

LEDstrip for saunas rated IP44. Creates a pleasant warm white raking light with incandescent bulb character. Should be installed in locations where the temperature does not exceed 80°C. Luminaire casing of warm and age-resistant plastic, end pieces of aluminium with brushed finish. Comes ready with screw connections and 5 cm cable on each side (linkable), 5 m heat resistant silicon cable with screw connection and clips and screws of stainless steel for easy installation. Connects to constant current 350 mA.

DESCRIPTION

GTIN:	7392971124056
Item Name:	Heatline 50 2700K
Warranty:	5 years

LIGHT TECHNICAL DATA

Max. Luminaire Lumen (lm):	380
Light Source:	LED
Light Source Included:	Yes
Replaceability:	Non-replaceable LED
LED Colour:	Warm White
Colour Temperature (K):	2700
Colour Rendering Index (Ra):	>80
Colour Consistency (SDCM):	3
Luminous Intensity (cd):	60
Beam Angle (°):	150
Light sharing:	Symmetric
Light Outlet:	Direct
Number of Lamps (pcs):	1
Number of LED (pcs):	5
Life Time:	h Ta °C
Nominal Life Time (h):	50000
Lumen maintenance 50 000h:	L80
LLMF @ 50 000h:	0.8

TECHNICAL DATA

Max. Power Luminaire (W):	5,5
Max. Efficiency Luminaire (lm/W):	76

OPERATION AND CONNECTION

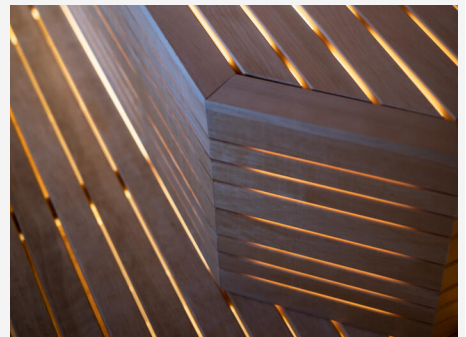
Dimmable:	Yes
Driver Included:	No
Driver Model:	Constant Current
Connection (type):	Screw Terminals
Length Connection (cm):	5
Constant Current (mA):	350
Min. Ta (°C):	-25
Max. Ta (°C):	125

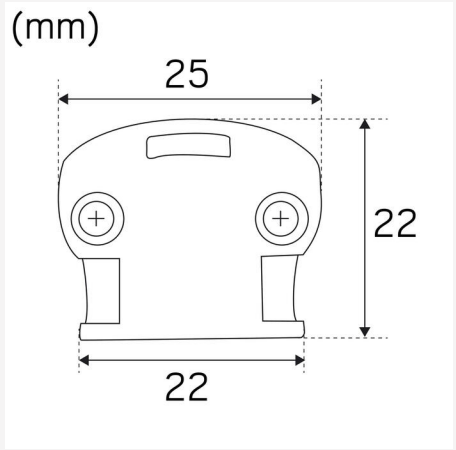
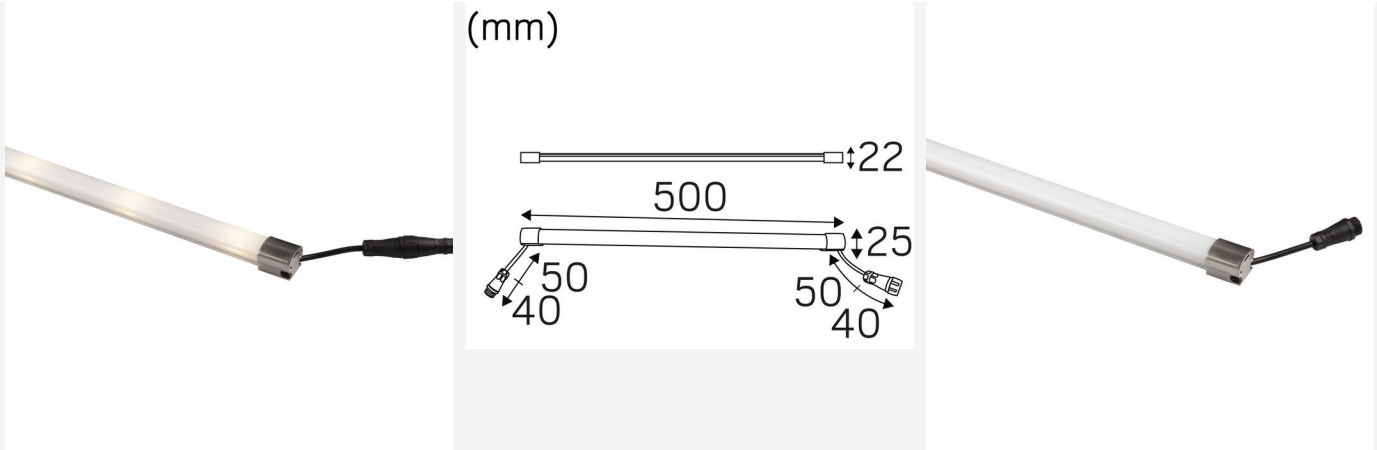
COLOR AND MATERIAL


Material:	Aluminium, Plastic
Color:	Opal White
Environmental Assessment:	Byggvarubedömningen

MEASUREMENT AND INSTALLATION

Operating Environment:	Indoor / wet locations, Outdoor
IP Degree of Protection:	44
Installation:	Surface mounted
Mounting Installation:	Clips
Approval Marks:	CE
Length (mm):	500
Width (mm):	22
Height (mm):	22
Weight (kg):	0,17







Hide-a-lite
Heatline 50 2700K

A
B
C
D
E ←
F
G

5
kWh/1000h

 2019/2015