



## SHARP POST GREY

Sharp Post is a post luminaire of sharp design for installation on a post. Choose a luminaire with asymmetrical or symmetrical light distribution as needed. Both Sharp Post and Sharp Post Asym are suitable for mounting on 4-6m posts for small cycle parking areas in office or apartment building car parks. With its asymmetrical light distribution, Sharp Post Asym is good for pedestrian and cycle paths because it distributes the light better along the path. Sharp Post Asym has replaceable LED and driver; the Sharp Post version only has replaceable driver. Adjustable lumen output and selectable colour temperature via DIP-switch. Impact resistant (IK10) with durable powder coating to withstand our Nordic climate. Light can be directed thanks to the adjustable luminaire head. Easily installed with flexible post bracket for posts of 48mm or 60mm diameter. Comes with 5m of pre-mounted rubber cable for easy connection in the post.

### DESCRIPTION

<b>GTIN:</b>	7392971145242
<b>Item Name:</b>	Sharp Post Grey
<b>Warranty:</b>	5 years

## LIGHT TECHNICAL DATA

<b>Max. Luminaire Lumen (lm):</b>	2950
<b>Light Source:</b>	LED
<b>Light Source Included:</b>	Yes
<b>Replaceability:</b>	Non-replaceable LED, Replaceable Control gear by professional
<b>LED Colour:</b>	Warm White
<b>Colour Temperature (K):</b>	3000, 4000
<b>Colour Rendering Index (Ra):</b>	>80
<b>Colour Consistency (SDCM):</b>	3
<b>Luminous Intensity (cd):</b>	1280
<b>Beam Angle (°):</b>	100
<b>Light sharing:</b>	Symmetric
<b>Light Outlet:</b>	Direct
<b>Number of Lamps (pcs):</b>	1
<b>Number of LED (pcs):</b>	1
<b>Life Time:</b>	h Ta °C
<b>Nominal Life Time (h):</b>	100000
<b>Lumen maintenance 50 000h:</b>	L84
<b>Lumen maintenance 75 000h:</b>	L76
<b>Lumen maintenance 100 000h:</b>	L70
<b>LLMF @ 50 000h:</b>	0.84
<b>LLMF @ 100 000h:</b>	0.7
<b>Life Time Driver:</b>	50 000h/10%
<b>Flicker (PstLM):</b>	0,056
<b>Stroboscopic effect (SVM):</b>	0,012

## TECHNICAL DATA

<b>Tiltable (°):</b>	30
<b>Voltage (type):</b>	AC
<b>Voltage Interval (V):</b>	220...240V
<b>Voltage Nominal (V):</b>	230
<b>Line Frequency (Hz):</b>	50, 60
<b>Power LED (W):</b>	27
<b>Max. Power Luminaire (W):</b>	31
<b>Max. System Power (W):</b>	31
<b>Max. Efficiency Luminaire (lm/W):</b>	95,2
<b>Max. Efficiency System (lm/W):</b>	95,2
<b>Containing light source energy efficiency class (EU) 2019/2015: E</b>	

## OPERATION AND CONNECTION

<b>Dimmable:</b>	No
<b>Type of Dimming:</b>	DIP-Switch Power
<b>Driver Included:</b>	Yes
<b>Driver Model:</b>	Constant Current
<b>Driver Manufacturer:</b>	Hide-a-lite
<b>Connection (type):</b>	Cable
<b>Length Connection (cm):</b>	500
<b>Connection (mm<sup>2</sup>):</b>	3x1,0
<b>Strain Relief:</b>	Yes
<b>Power Factor <math>\lambda</math>:</b>	0,94
<b>Efficiency (%):</b>	86
<b>Power loss (W):</b>	4,31
<b>Leakage current (mA) (at 230 V, 50 Hz, full load):</b>	0,2
<b>THD (%):</b>	9
<b>Constant Current (mA):</b>	250, 500, 750
<b>Min. Ta (°C):</b>	-20
<b>Max. Ta (°C):</b>	50
<b>Max. Tc (°C):</b>	105
<b>Protection Against:</b>	Short Circuit, Overload
<b>Mains surge protection DM (kV):</b>	1,5
<b>Mains surge protection CM (kV):</b>	1,5
<b>Fuse B10 (pcs):</b>	12
<b>Fuse B16 (pcs):</b>	19
<b>Fuse C10 (pcs):</b>	20
<b>Fuse C16 (pcs):</b>	32

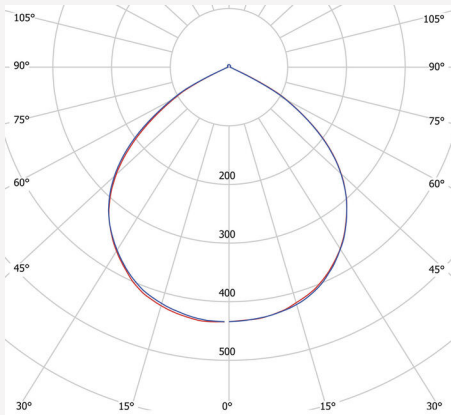
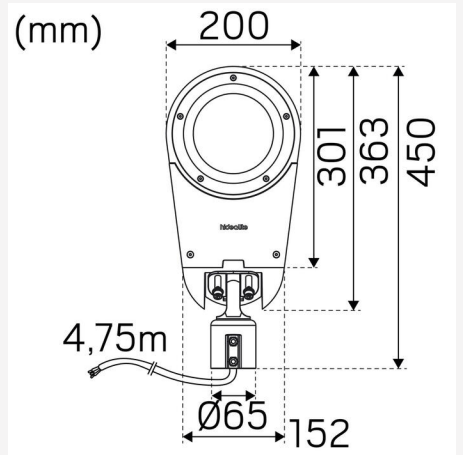
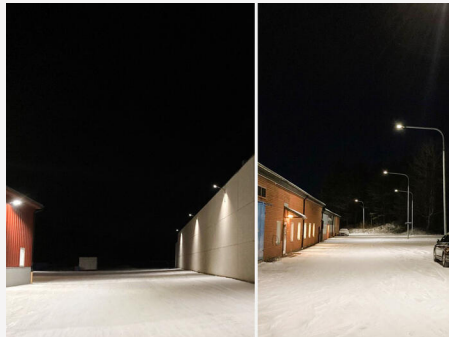
## COLOR AND MATERIAL

<b>Material:</b>	Aluminium
<b>Color:</b>	Grey
<b>Environmental Assessment:</b>	Byggvarubedömningen
<b>SCIP:</b>	03a28031-4381-45c2-95e5-15ae513e5ed3

## MEASUREMENT AND INSTALLATION

<b>Operating Environment:</b>	Indoor / dry locations, Outdoor
<b>IP Degree of Protection:</b>	65
<b>Protection Class:</b>	I
<b>Installation:</b>	Post assembly
<b>Mounting Installation:</b>	Screw Mounting
<b>Approval Marks:</b>	CE
<b>Impact Strength:</b>	IK10
<b>Length (mm):</b>	450
<b>Width (mm):</b>	200
<b>Height (mm):</b>	61
<b>Weight (kg):</b>	2,76





**DIP SWITCH**  
POWER

**Factory setting:**  
4000K | 31W

mA	Watt	3000K	4000K
250mA	10,5W	1100lm	1150lm
500mA	21W	1950lm	2000lm
750mA	31W	2900lm	2950lm

