



## PAVE POST DECO II GREY

Stylish post luminaire in the Pave family. Perfect outside a large property or car park that needs a lot of light. Choose the appearance and increase anti-glare for your luminaire in combination with Top, Deco II and Deco IV. Post bracket for 60mm posts. Replaceable LED and driver. Selectable lumen output and adjustable colour temperature via DIP-switch. 10kV surge voltage protection as standard. Adapter available as accessory for fitting on 48mm post. Comes with 5m of pre-mounted rubber cable for easy connection.

### DESCRIPTION

|                   |                        |
|-------------------|------------------------|
| <b>GTIN:</b>      | 7392971147208          |
| <b>Item Name:</b> | Pave Post Deco II Grey |
| <b>Warranty:</b>  | 5 years                |

### LIGHT TECHNICAL DATA

|                                     |   |
|-------------------------------------|---|
| <b>Max. Luminaire Lumen (lm):</b>   | 2580  |
| <b>Light Source:</b>                | LED   |
| <b>Light Source Included:</b>       | Yes   |
| <b>Replaceability:</b>              | Replaceable LED by professional, Replaceable Control gear by professional |
| <b>LED Colour:</b>                  | White   |
| <b>Colour Temperature (K):</b>      | 3000, 4000  |
| <b>Colour Rendering Index (Ra):</b> | >80   |
| <b>Colour Consistency (SDCM):</b>   | 3   |
| <b>Luminous Intensity (cd):</b>     | 645   |
| <b>Beam Angle (°):</b>              | 180   |
| <b>Light sharing:</b>               | Symmetric   |
| <b>Light Outlet:</b>                | Direct  |
| <b>Number of Lamps (pcs):</b>       | 1   |
| <b>Number of LED (pcs):</b>         | 144   |
| <b>Life Time:</b>                   | h Ta °C   |
| <b>Nominal Life Time (h):</b>       | 100000  |
| <b>Lumen maintenance 50 000h:</b>   | L88   |
| <b>Lumen maintenance 75 000h:</b>   | L83   |
| <b>Lumen maintenance 100 000h:</b>  | L80   |
| <b>LLMF @ 50 000h:</b>              | 0.88  |
| <b>LLMF @ 100 000h:</b>             | 0.8   |
| <b>Life Time Driver:</b>            | 100 000h/20%  |
| <b>Flicker (PstLM):</b>             | 0   |
| <b>Stroboscopic effect (SVM):</b>   | 0   |

## TECHNICAL DATA

|                                   |            |
|-----------------------------------|------------|
| Voltage (type):                   | AC         |
| Voltage Interval (V):             | 220...240V |
| Voltage Nominal (V):              | 230        |
| Line Frequency (Hz):              | 50, 60     |
| Power LED (W):                    | 25,9       |
| Max. Power Luminaire (W):         | 30         |
| Max. System Power (W):            | 30         |
| Max. Efficiency Luminaire (lm/W): | 86         |
| Max. Efficiency System (lm/W):    | 86         |

Containing light source energy efficiency class (EU) 2019/2015: C

## OPERATION AND CONNECTION

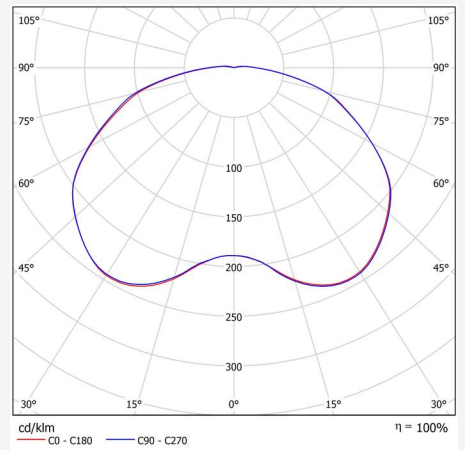
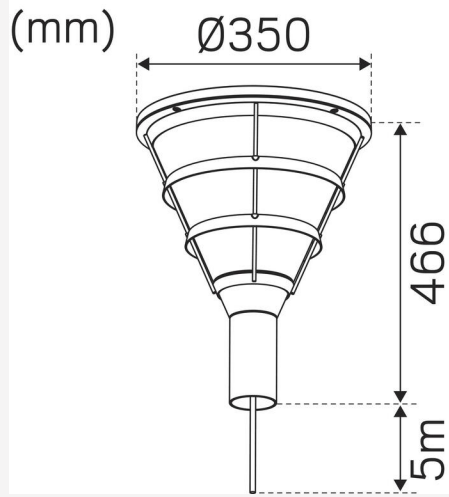
|  |                                  |
|--|----------------------------------|
| Dimmable:  | No                               |
| Type of Dimming:                                   | DIP-Switch Power                 |
| Driver Included:                                   | Yes - replaceable                |
| Driver Model:                                      | Constant Current                 |
| Driver Manufacturer:                               | Hide-a-lite                      |
| Connection (type):                                 | Quick Terminal                   |
| Length Connection (cm):                            | 500                              |
| Connection (mm2):                                  | 3x0,75-2,5                       |
| Strain Relief:                                     | Yes                              |
| Power Factor $\lambda$ :                           | 0,9                              |
| Power loss (W):                                    | 5,1                              |
| Leakage current (mA) (at 230 V, 50 Hz, full load): | 0,29                             |
| THD (%):   | 20                               |
| Constant Current (mA):                             | 450, 650, 800, 1000              |
| Min. Ta (°C):                                      | -30                              |
| Max. Ta (°C):                                      | 40                               |
| Max. Tc (°C):                                      | 88                               |
| Protection Against:                                | Short Circuit, Overheating 130°C |
| Inrush current (max/time):                         | 15A 500 $\mu$ s                  |
| Mains surge protection DM (kV):                    | 10                               |
| Mains surge protection CM (kV):                    | 10                               |
| Fuse B10 (pcs):                                    | 22                               |
| Fuse B16 (pcs):                                    | 35                               |
| Fuse C10 (pcs):                                    | 36                               |
| Fuse C16 (pcs):                                    | 58                               |

## COLOR AND MATERIAL

|                             |                          |
|-----------------------------|--------------------------|
| Material:                   | Aluminium, Polycarbonate |
| Color:                      | Grey                     |
| Environmental Assessment:   | Byggvarubedömningen      |
| Available in special color: | Yes                      |

## MEASUREMENT AND INSTALLATION

|                                |                                 |
|--------------------------------|---------------------------------|
| Operating Environment:         | Indoor / dry locations, Outdoor |
| IP Degree of Protection:       | 65                              |
| Protection Class:              | I                               |
| Installation:                  | Post assembly                   |
| Mounting Installation:         | Screw Mounting                  |
| Approval Marks:                | CE, a Hide-a-lite Choice        |
| Impact Strength:               | IK10                            |
| Filament Test IEC 695-2-1(°C): | 650                             |
| Height (mm):                   | 466                             |
| Diameter (mm):                 | 350                             |
| Weight (kg):                   | 4,47                            |



**hideolite**  
choice

We focus on sustainability using recycled material for creating innovative luminaires, as well as replaceable LEDs and drivers.

Luminaires built for the future!



**DIP SWITCH POWER**

| Factory setting:<br>3000K   20W | Watt | Pave Post<br>Pave Post Top |        | Pave Post Deco II<br>Pave Post Top Deco II |        | Pave Post Deco IV<br>Pave Post Top Deco IV |        |
|---------------------------------|------|----------------------------|--------|--|--------|--|--------|
|                                 |      | 3000K                      | 4000K  | 3000K                                      | 4000K  | 3000K                                      | 4000K  |
| 450mA                           | 15W  | 1320lm                     | 1450lm | 1110lm                                     | 1230lm | 830lm                                      | 920lm  |
| 650mA                           | 20W  | 1610lm                     | 1970lm | 1580lm                                     | 1740lm | 1180lm                                     | 1310lm |
| 800mA                           | 25W  | 2200lm                     | 2380lm | 1900lm                                     | 2100lm | 1430lm                                     | 1580lm |
| 1000mA                          | 30W  | 2690lm                     | 3030lm | 2350lm                                     | 2580lm | 1760lm                                     | 1940lm |

