



SHARP POST ASYM 90°X150° GREY

Sharp Post is a post luminaire of sharp design for installation on a post. Choose a luminaire with asymmetrical or symmetrical light distribution as needed. Both Sharp Post and Sharp Post Asym are suitable for mounting on 4-6m posts for small cycle parking areas in office or apartment building car parks. With its asymmetrical light distribution, Sharp Post Asym is good for pedestrian and cycle paths because it distributes the light better along the path. Sharp Post Asym has replaceable LED and driver; the Sharp Post version only has replaceable driver. Adjustable lumen output and selectable colour temperature via DIP-switch. Impact resistant (IK10) with durable powder coating to withstand our Nordic climate. Light can be directed thanks to the adjustable luminaire head. Easily installed with flexible post bracket for posts of 48mm or 60mm diameter. Comes with 5m of pre-mounted rubber cable for easy connection in the post.

DESCRIPTION

GTIN:	7392971150628
Item Name:	Sharp Post Asym 90°x150° Grey
Warranty:	5 years

LIGHT TECHNICAL DATA

Max. Luminaire Lumen (lm):	3000
Light Source:	LED
Light Source Included:	Yes
Replaceability:	Non-replaceable LED, Replaceable Control gear by professional
LED Colour:	White
Colour Temperature (K):	3000, 4000
Colour Rendering Index (Ra):	>80
Colour Consistency (SDCM):	3
Luminous Intensity (cd):	1700
Beam Angle (°):	150
Light sharing:	Asymmetric
Light Outlet:	Direct
Number of Lamps (pcs):	1
Number of LED (pcs):	12
Life Time:	L70 100000h Ta 25°C
Nominal Life Time (h):	100000
Lumen maintenance 50 000h:	L84
Lumen maintenance 75 000h:	L76
Lumen maintenance 100 000h:	L70
LLMF @ 50 000h:	0.84
LLMF @ 100 000h:	0.7
Life Time Driver:	50 000h/10%
Flicker (PstLM):	0,056
Stroboscopic effect (SVM):	0,012

TECHNICAL DATA

Adjustable:	Yes
Tilttable (°):	30
Voltage (type):	AC, DC
Voltage Interval (V):	220...240V
Voltage Nominal (V):	230
Line Frequency (Hz):	50, 60
Power LED (W):	27
Max. Power Luminaire (W):	31
Max. System Power (W):	31
Max. Efficiency Luminaire (lm/W):	96,8
Max. Efficiency System (lm/W):	96,8
Containing light source energy efficiency class (EU) 2019/2015: E	

OPERATION AND CONNECTION

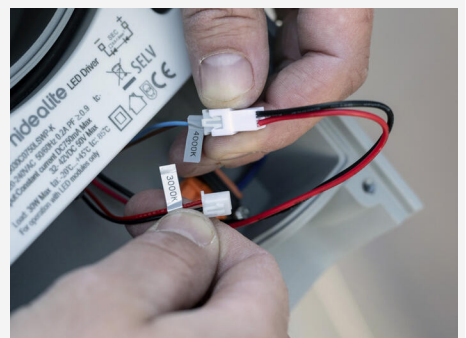
Dimmable:	No
Type of Dimming:	DIP-Switch Power
Driver Included:	Yes
Driver Model:	Constant Current
Driver Manufacturer:	Hide-a-lite
Connection (type):	Cable
Length Connection (cm):	500
Connection (mm2):	3x0,5-1,5
Through Wiring:	Yes
Strain Relief:	Yes
Power Factor λ:	0,94
Efficiency (%):	86
Power loss (W):	4,31
Leakage current (mA) (at 230 V, 50 Hz, full load):	0,2
THD (%):	9
Max. Power (W):	31
Constant Current (mA):	250, 500, 750
Min. Ta (°C):	-20
Max. Ta (°C):	50
Max. Tc (°C):	105
Protection Against:	Short Circuit, Overload
Mains surge protection DM (kV):	1,5
Mains surge protection CM (kV):	1,5
Fuse B10 (pcs):	12
Fuse B16 (pcs):	19
Fuse C10 (pcs):	20
Fuse C16 (pcs):	32

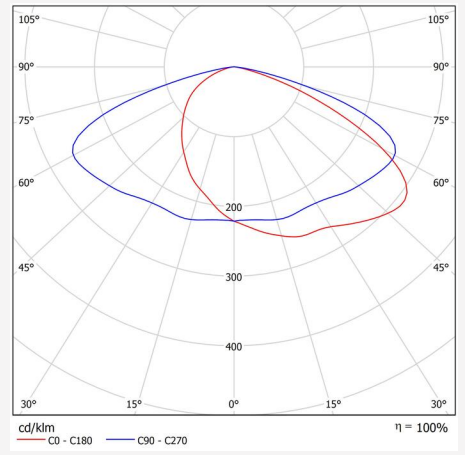
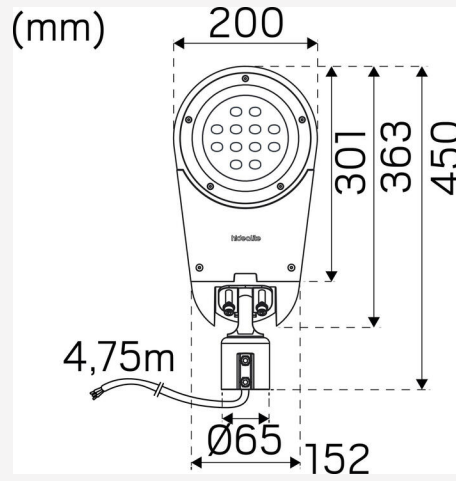
COLOR AND MATERIAL

Material:	Aluminium
Color:	Grey
Environmental Assessment:	Byggvarubedömningen
SCIP:	03a28031-4381-45c2-95e5-15ae513e5ed3

MEASUREMENT AND INSTALLATION

Operating Environment:	Indoor / dry locations, Outdoor
IP Degree of Protection:	65
Protection Class:	I
Installation:	Post assembly
Mounting Installation:	Screw Mounting
Approval Marks:	CE
Impact Strength:	IK10
Length (mm):	450
Width (mm):	200
Height (mm):	61
Weight (kg):	2,76





SHARP POST ASYM – DIP DIM

mA	Watt	3000K	4000K
250mA	10,5W	1140lm	1160lm
500mA	21W	2140lm	2170lm
750mA	31W	2900lm	3000lm

Factory Setting: 4000K | 31W



We focus on sustainability using recycled material for creating innovative luminaires, as well as replaceable LEDs and drivers.

Luminaires built for the future!