



## MOON PRO 255 3000K

LED luminaire for installation flat on the ceiling or wall. High lumen output and good efficiency that meets with tough market demands and requires fewer luminaires per installation. IP44 and class II to suit many indoor milieus. Easily installed long-life luminaire that comes complete with integrated mains dimmable driver. Possibility of surface mounted cable routing.

### DESCRIPTION

<b>GTIN:</b>	7392971129846
<b>Item Name:</b>	Moon Pro 255 3000K
<b>Warranty:</b>	5 years

### LIGHT TECHNICAL DATA

<b>Max. Luminaire Lumen (lm):</b>	1000
<b>Light Source:</b>	LED
<b>Light Source Included:</b>	Yes
<b>Replaceability:</b>	Non-replaceable LED, Replaceable Control gear by professional
<b>LED Colour:</b>	Warm White
<b>Colour Temperature (K):</b>	3000
<b>Colour Rendering Index (Ra):</b>	>80
<b>Colour Consistency (SDCM):</b>	3
<b>Luminous Intensity (cd):</b>	300
<b>Beam Angle (°):</b>	115
<b>Light sharing:</b>	Symmetric
<b>Light Outlet:</b>	Direct
<b>Number of Lamps (pcs):</b>	1
<b>Number of LED (pcs):</b>	63
<b>Life Time:</b>	L90 100000h Ta 25°C
<b>Nominal Life Time (h):</b>	100000
<b>Lumen maintenance 50 000h:</b>	L96
<b>Lumen maintenance 100 000h:</b>	L94
<b>LLMF @ 50 000h:</b>	0.96
<b>LLMF @ 100 000h:</b>	0.94
<b>Life Time Driver:</b>	50 000h/5%

## TECHNICAL DATA

Voltage (type):	AC
Voltage Interval (V):	220...240V
Voltage Nominal (V):	230
Line Frequency (Hz):	50
Max. Power Luminaire (W):	10
Max. System Power (W):	10
Max. Efficiency Luminaire (lm/W):	100
Max. Efficiency System (lm/W):	100
Containing light source energy efficiency class (EU) 2019/2015: D	
Eprel registration number:	1353526

## OPERATION AND CONNECTION

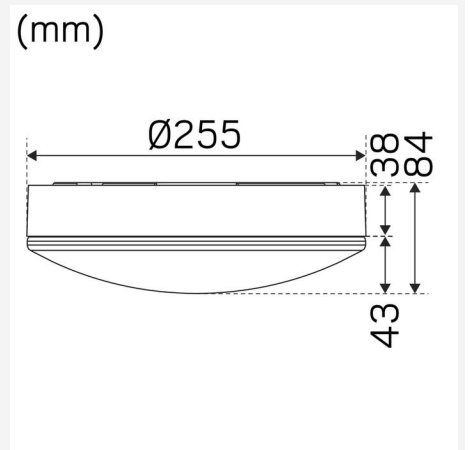
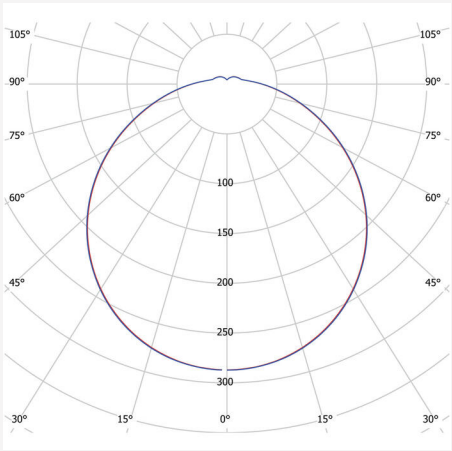
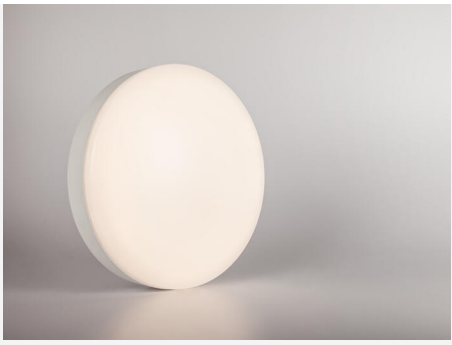
Dimmable:	Yes
Type of Dimming:	Trailing Edge, Leading Edge
Driver Included:	Yes
Driver Model:	Constant Current
Driver Type:	Built-in
Connection (type):	Quick Terminal
Connection (mm2):	3x0,5-2,5
Through Wiring:	Yes
Strain Relief:	Yes
Power Factor $\lambda$ :	0,96
Efficiency (%):	82
THD (%):	10
Min. Ta (°C):	-15
Max. Ta (°C):	40
Dimming secondary side:	AM
Inrush current (max/time):	2A 50 $\mu$ s
Fuse B10 (pcs):	50
Fuse B16 (pcs):	75
Fuse C10 (pcs):	60
Fuse C16 (pcs):	93

## COLOR AND MATERIAL

Material:	PMMA, Polycarbonate, ABS plastic
Color:	White
Environmental Assessment:	Byggvarubedömningen

## MEASUREMENT AND INSTALLATION

Operating Environment:	Indoor / wet locations
IP Degree of Protection:	44
Protection Class:	II
Installation:	Surface mounted
Mounting Installation:	Screw Mounting
Approval Marks:	CE
Impact Strength:	IK06
Filament Test IEC 695-2-1(°C):	650
Height (mm):	84
Diameter (mm):	255
Weight (kg):	0,63



(mm)

