



## Q-BOX

Stand-alone driver casing in white halogen-free plastic for indoor use. With push-in terminal blocks 8 x 0.5-2.5 mm<sup>2</sup> for connecting driver. Suitable for through wiring between drivers or luminaires, possible through wiring for both incoming power and lighting control. Can be used to conceal drivers or as a connection point. Q-box is most suited for use with our Jolly drivers and requires no tools. Screwless strain relief and through wiring for a service-friendly installation.

### DESCRIPTION

<b>GTIN:</b>	7392971128696
<b>Item Name:</b>	Q-box
<b>Warranty:</b>	5 years

### OPERATION AND CONNECTION

<b>Connection (type):</b>	Quick Terminal
---------------------------	----------------

### COLOR AND MATERIAL

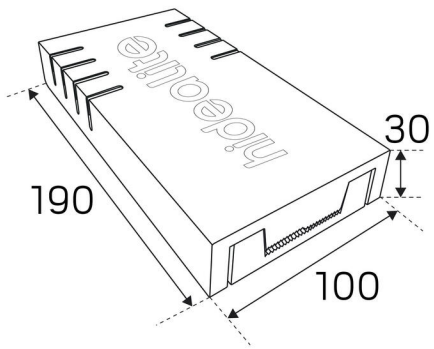
<b>Material:</b>	Plastic
<b>Color:</b>	White

### MEASUREMENT AND INSTALLATION

<b>Operating Environment:</b>	Indoor / dry locations
<b>IP Degree of Protection:</b>	20
<b>Installation:</b>	Surface mounted
<b>Mounting Installation:</b>	Screw Mounting
<b>Approval Marks:</b>	CE
<b>Filament Test IEC 695-2-1(°C):</b>	650
<b>Length (mm):</b>	190
<b>Width (mm):</b>	100
<b>Height (mm):</b>	30
<b>Weight (kg):</b>	0,15



(mm)



(mm)

